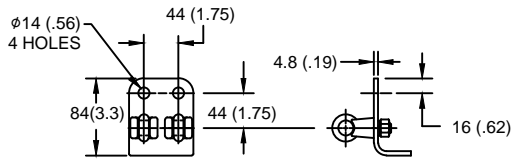


SIZE A	DWG NO 911XPA108AS	SHT 1	REV
REV	DESCRIPTION	DATE	APPROVED

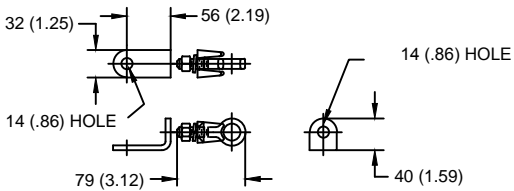
GE Tranquell® 84 kV MCOV

LINE TERMINAL DETAIL

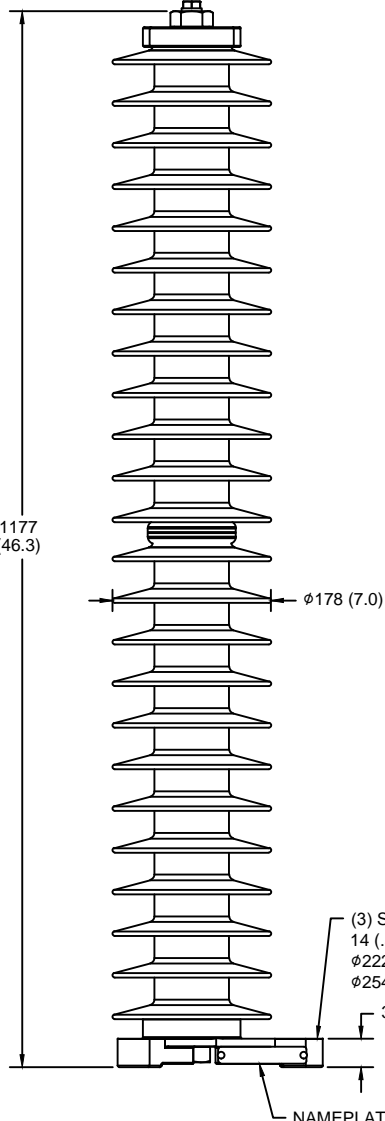


HDG 4-HOLE TERMINAL PAD,
TWO HDG TERMINALS,
SUITABLE FOR Cu OR Al CONDUCTOR SIZE
φ 7 (.25) - φ 21 (.81) DIA
25 - 240 sq mm
AWG#4 - 500 MCM

GROUND TERMINAL DETAIL



HDG TERMINAL BRACKET
ONE HDG TERMINAL
SUITABLE FOR Cu OR Al CONDUCTOR SIZE
φ 7 (.25) - φ 21 (.81) DIA
25 - 240 sq mm
AWG#4 - 500 MCM



CHARACTERISTICS	
RATED VOLTAGE	108 kVrms
MCOV	84 kVrms
MASS	26.7 kg (58.9 lb)
COG ABOVE BASE	589 (23.2)
CREEPAGE DISTANCE	3124 (123)
STRIKE DISTANCE	1100 (43.3)
LIGHTNING IMP W/S	631 kVpk
SWITCHING IMP WET W/S	529 kVpk
POWER FREQ WET W/S	275 kVrms
TOV 1s NO PRIOR DUTY	125 kVrms
TOV 10s NO PRIOR DUTY	120 kVrms
TOV 1s W/PRIOR DUTY	121 kVrms
TOV 10s W/PRIOR DUTY	116 kVrms

CANTILEVER FORCE	
MAXIMUM CONTINUOUS	897 N (202 lbs)
ULTIMATE (max pk)	1794 N (403 lbs)

RECOMMENDED CLEARANCE (CENTER - CENTER)	
PHASE TO GROUND	628.9 (24.8)
PHASE TO PHASE	728.0 (28.7)

NOTES:
1. DIMENSIONS IN millimeters(inches) SUBJECT TO ±3% TOLERANCE
2. CLEARANCE AND INSULATION W/S VOLTAGE APPLY AT SEA LEVEL
3. ARRESTER SUITABLE FOR OPERATION AT ALTITUDES UP TO 4380 m (14370 ft)
4. PACKAGED IN A CORRUGATED BOX.

.5μSEC 10kA IR kV	SWITCHING SURGE IR kV		MAXIMUM 8/20 DISCHARGE VOLTAGE - kV AT					
	500 A	1 KA	1.5 kA	3.0 kA	5 kA	10 kA	20 kA	40 kA
289	207	216	221	232	244	261	283	322

GE ENERGY
FORT EDWARD, N.Y., U.S.A.

DRAWN **DCS** DATE **11/20/2014**

ISSUED DATE **11/20/2014**

SIZE
A

ANSI/IEEE C62.11
STATION CLASS

SCALE

ARRESTER 9L11XPA108AS

SHEET **1** CONT
ON -

DISTR. TO