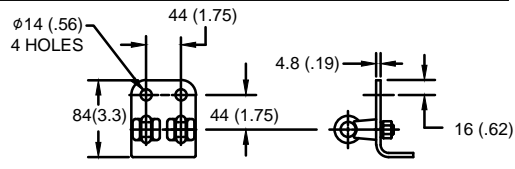


SIZE A	DWG NO 911XPA172AS	SHT 1	REV
REV	DESCRIPTION	DATE	APPROVED

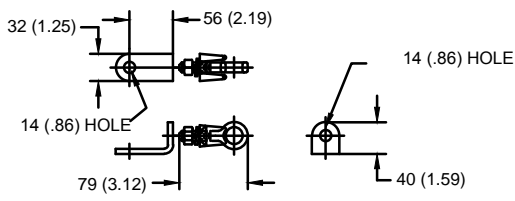
# GE Tranquell® 140 kV MCOV

### LINE TERMINAL DETAIL



HDG 4-HOLE TERMINAL PAD, PART No. 274914-4002  
TWO HDG TERMINALS, PART No. 271414-3001  
SUITABLE FOR Cu OR Al CONDUCTOR SIZE  
φ 7 (.25) - φ 21 (.81) DIA  
25 - 240 sq mm  
AWG#4 - 500 MCM

### GROUND TERMINAL DETAIL



HDG TERMINAL BRACKET, PART No. 89606-4001  
ONE HDG TERMINAL, PART No. 271414-3001  
SUITABLE FOR Cu OR Al CONDUCTOR SIZE  
φ 7 (.25) - φ 21 (.81) DIA  
25 - 240 sq mm  
AWG#4 - 500 MCM

### CHARACTERISTICS

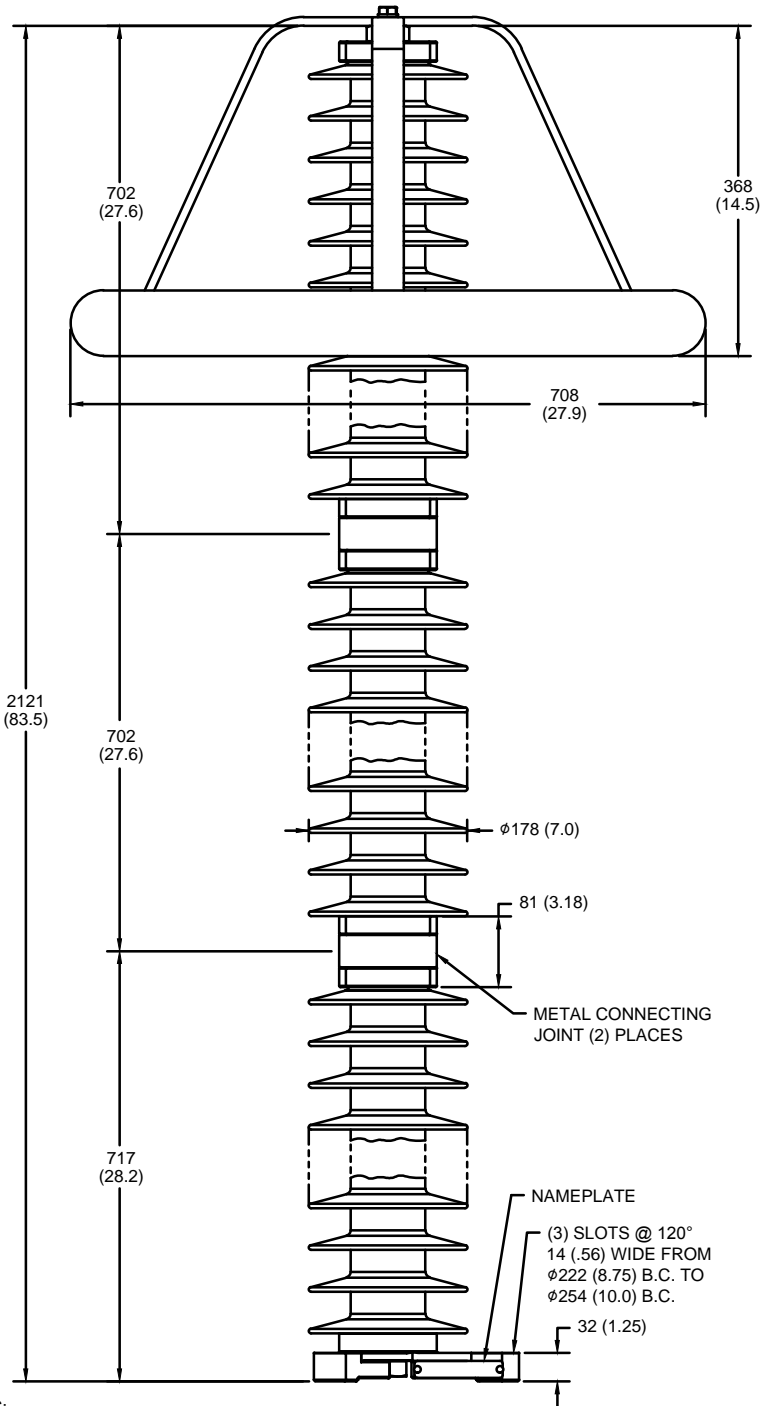
RATED VOLTAGE	172 kVrms
MCOV	140 kVrms
MASS	54.6 kg (120 lb)
COG ABOVE BASE	1139 (44.8)
CREEPAGE DISTANCE	5482 (215.8)
STRIKE DISTANCE	1753 (69)
LIGHTNING IMP W/S	1006 kVpk
SWITCHING IMP WET W/S	843 kVpk
POWER FREQ WET W/S	395 kVrms
TOV 1s NO PRIOR DUTY	199 kVrms
TOV 10s NO PRIOR DUTY	191 kVrms
TOV 1s W/PRIOR DUTY	193 kVrms
TOV 10s W/PRIOR DUTY	185 kVrms

### CANTILEVER FORCE

MAXIMUM CONTINUOUS	256 N (58 lbs)
ULTIMATE (max pk)	1025 N (230 lbs)

### RECOMMENDED CLEARANCE (CENTER - CENTER)

PHASE TO GROUND	1537 (60.5)
PHASE TO PHASE	1890 (74.1)



NOTES:  
2. CLEARANCE AND INSULATION W/S VOLTAGE APPLY AT SEA LEVEL.  
3. ARRESTER SUITABLE FOR OPERATION AT ALTITUDES UP TO 4380 m (14370 ft)

.5μSEC 10kA IR kV	SWITCHING SURGE IR kV		MAXIMUM 8/20 DISCHARGE VOLTAGE - kV AT					
	500 A	1 KA	1.5 kA	3.0 kA	5 kA	10 kA	20 kA	40 kA
462	330	344	352	370	388	416	450	513

**GE ENERGY**  
**FORT EDWARD, N.Y., U.S.A.**

SIZE  
**A**  
ANSI/IEEE C62.11  
STATION CLASS

# ARRESTER 9L11XPA172AS

DRAWN **DCS**      DATE **9/15/2014**  
ISSUED      DATE **9/15/2014**

SCALE      SHEET **1**      CONT **ON**      -

DISTR. TO