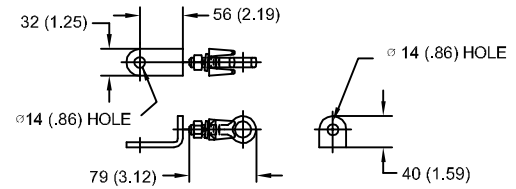


29 kV MCOV

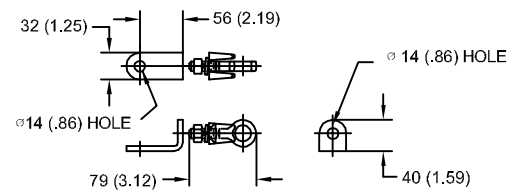
SIZE A	DWG NO 911XPB036AS	SHT 1	REV
REV	DESCRIPTION	DATE	APPROVED

LINE TERMINAL DETAIL

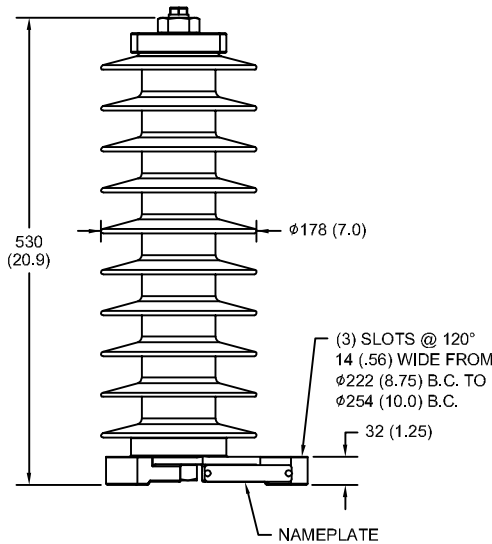


HDG TERMINAL BRACKET
 ONE HDG TERMINAL
 SUITABLE FOR CU OR AL CONDUCTOR SIZE
 φ 7 (.25) - φ 21 (.81) DIA
 25 - 240 sq mm
 AWG#4 - 500 MCM

GROUND TERMINAL DETAIL



HDG TERMINAL BRACKET
 ONE HDG TERMINAL
 SUITABLE FOR CU OR AL CONDUCTOR SIZE
 φ 7 (.25) - φ 21 (.81) DIA
 25 - 240 sq mm
 AWG#4 - 500 MCM



CHARACTERISTICS

RATED VOLTAGE	36 kVrms
MCOV	29 kVrms
MASS	12.1 kg (26.6 lb)
COG ABOVE BASE	267 (10.5)
CREEPAGE DISTANCE	1294 (50.9)
STRIKE DISTANCE	455 (17.9)
LIGHTNING IMP W/S	261 kVpk
SWITCHING IMP WET W/S	219 kVpk
POWER FREQ WET W/S	125 kVrms
TOV 1s NO PRIOR DUTY	41.4 kVrms
TOV 10s NO PRIOR DUTY	39.6 kVrms
TOV 1s W/PRIOR DUTY	40.0 kVrms
TOV 10s W/PRIOR DUTY	38.4 kVrms

CANTILEVER FORCE

MAXIMUM CONTINUOUS	1843 N (414 lbs)
ULTIMATE (max pk)	3687 N (829 lbs)

RECOMMENDED CLEARANCE (CENTER - CENTER)

PHASE TO GROUND	262 (10.3)
PHASE TO PHASE	391 (15.4)

- NOTES:
 1. DIMENSIONS IN millimeters(inches) SUBJECT TO ±3% TOLERANCE
 2. CLEARANCE AND INSULATION W/S VOLTAGE APPLY AT SEA LEVEL
 3. ARRESTER SUITABLE FOR OPERATION AT ALTITUDES UP TO 1800 m (6000 ft)
 4. PACKAGED IN A CORRUGATED BOX.

.5μSEC 10kA IR kV	SWITCHING SURGE IR kV		MAXIMUM 8/20 DISCHARGE VOLTAGE - kV AT					
	500 A	1 KA	1.5 kA	3.0 kA	5 kA	10 kA	20 kA	40 kA
97.0	68.6	71.5	73.2	76.9	80.7	86.5	93.6	107



GE ENERGY
 FORT EDWARD, N.Y., U.S.A.

SIZE
A

ANSI
 STATION CLASS

ARRESTER
9L11XPB036AS

DRAWN JBC DATE 5/03/2011

ISSUED DATE 5/03/2011

SCALE

SHEET 1 CONT ON -

DISTR. TO