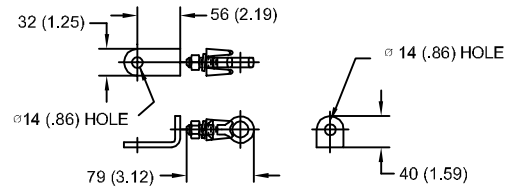


SIZE A	DWG NO 911XPB00345AS	SHT 1	REV
REV	DESCRIPTION	DATE	APPROVED

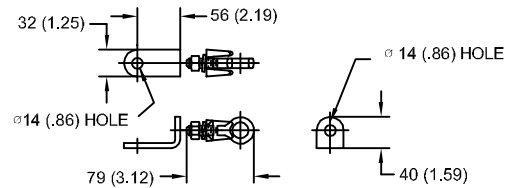
36.5 kV MCOV

LINE TERMINAL DETAIL

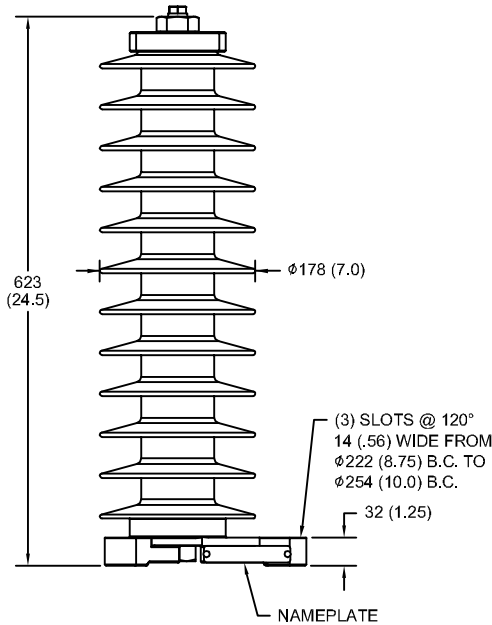


HDG TERMINAL BRACKET
 ONE HDG TERMINAL
 SUITABLE FOR CU OR AL CONDUCTOR SIZE
 ϕ 7 (.25) - ϕ 21 (.81) DIA
 25 - 240 sq mm
 AWG#4 - 500 MCM

GROUND TERMINAL DETAIL



HDG TERMINAL BRACKET
 ONE HDG TERMINAL
 SUITABLE FOR CU OR AL CONDUCTOR SIZE
 ϕ 7 (.25) - ϕ 21 (.81) DIA
 25 - 240 sq mm
 AWG#4 - 500 MCM



CHARACTERISTICS	
RATED VOLTAGE	45 kVrms
MCOV	36.5 kVrms
MASS	14.2 kg (31.2 lb)
COG ABOVE BASE	312 (12.3)
CREEPAGE DISTANCE	1562 (61.5)
STRIKE DISTANCE	546 (21.5)
LIGHTNING IMP W/S	313 kVpk
SWITCHING IMP WET W/S	263 kVpk
POWER FREQ WET W/S	148 kVrms
TOV 1s NO PRIOR DUTY	51.9 kVrms
TOV 10s NO PRIOR DUTY	49.6 kVrms
TOV 1s W/PRIOR DUTY	50.2 kVrms
TOV 10s W/PRIOR DUTY	48.2 kVrms

CANTILEVER FORCE	
MAXIMUM CONTINUOUS	1601 N (360 lbs)
ULTIMATE (max pk)	3201 N (720 lbs)

RECOMMENDED CLEARANCE (CENTER - CENTER)	
PHASE TO GROUND	320 (12.6)
PHASE TO PHASE	455 (17.9)

- NOTES:
 1. DIMENSIONS IN millimeters(inches) SUBJECT TO $\pm 3\%$ TOLERANCE
 2. CLEARANCE AND INSULATION W/S VOLTAGE APPLY AT SEA LEVEL
 3. ARRESTER SUITABLE FOR OPERATION AT ALTITUDES UP TO 1800 m (6000 ft)
 4. PACKAGED IN A CORRUGATED BOX.

.5 μ SEC 10kA IR kV	SWITCHING SURGE IR kV		MAXIMUM 8/20 DISCHARGE VOLTAGE - kV AT					
	500 A	1 KA	1.5 kA	3.0 kA	5 kA	10 kA	20 kA	40 kA
121	86.0	89.6	91.8	96.4	101	108	117	134



GE ENERGY
 FORT EDWARD, N.Y., U.S.A.

SIZE
A

ANSI
STATION CLASS

ARRESTER
9L11XPB045AS

DRAWN JBC DATE 5/03/2011

ISSUED DATE 5/03/2011

SCALE

SHEET 1 CONT ON -

DISTR. TO