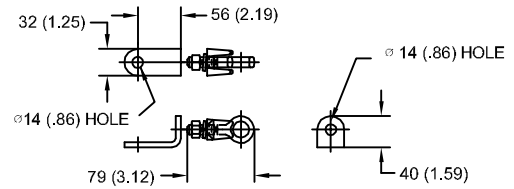


# 39 kV MCOV

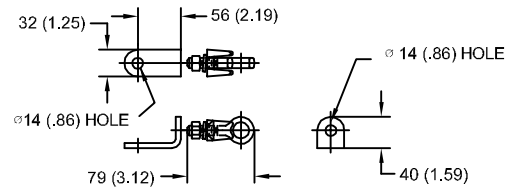
SIZE A	DWG NO 911XPB048AS	SHT 1	REV
REV	DESCRIPTION	DATE	APPROVED

### LINE TERMINAL DETAIL

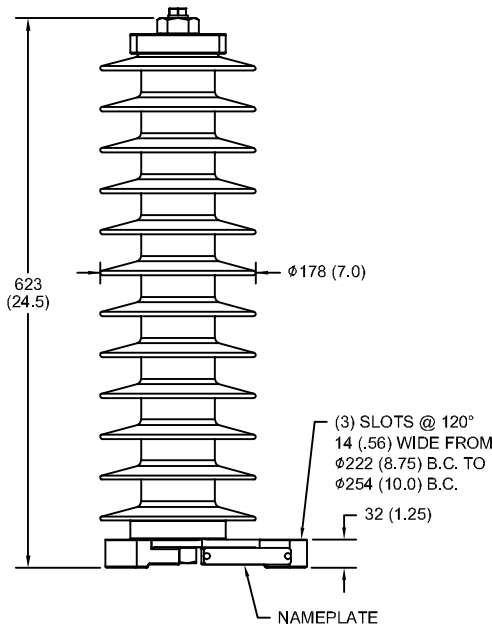


HDG TERMINAL BRACKET  
 ONE HDG TERMINAL  
 SUITABLE FOR CU OR AL CONDUCTOR SIZE  
 φ 7 (.25) - φ 21 (.81) DIA  
 25 - 240 sq mm  
 AWG#4 - 500 MCM

### GROUND TERMINAL DETAIL



HDG TERMINAL BRACKET  
 ONE HDG TERMINAL  
 SUITABLE FOR CU OR AL CONDUCTOR SIZE  
 φ 7 (.25) - φ 21 (.81) DIA  
 25 - 240 sq mm  
 AWG#4 - 500 MCM



### CHARACTERISTICS

RATED VOLTAGE	48 kVrms
MCOV	39 kVrms
MASS	14.2 kg (31.2 lb)
COG ABOVE BASE	312 (12.3)
CREEPAGE DISTANCE	1562 (61.5)
STRIKE DISTANCE	546 (21.5)
LIGHTNING IMP W/S	313 kVpk
SWITCHING IMP WET W/S	263 kVpk
POWER FREQ WET W/S	148 kVrms
TOV 1s NO PRIOR DUTY	55.4 kVrms
TOV 10s NO PRIOR DUTY	53.0 kVrms
TOV 1s W/PRIOR DUTY	53.6 kVrms
TOV 10s W/PRIOR DUTY	51.5 kVrms

### CANTILEVER FORCE

MAXIMUM CONTINUOUS	1601 N (360 lbs)
ULTIMATE (max pk)	3201 N (720 lbs)

### RECOMMENDED CLEARANCE (CENTER - CENTER)

PHASE TO GROUND	338 (13.3)
PHASE TO PHASE	478 (18.8)

- NOTES:  
 1. DIMENSIONS IN millimeters(inches) SUBJECT TO ±3% TOLERANCE  
 2. CLEARANCE AND INSULATION W/S VOLTAGE APPLY AT SEA LEVEL  
 3. ARRESTER SUITABLE FOR OPERATION AT ALTITUDES UP TO 1800 m (6000 ft)  
 4. PACKAGED IN A CORRUGATED BOX.

.5μSEC 10kA IR kV	SWITCHING SURGE IR kV		MAXIMUM 8/20 DISCHARGE VOLTAGE - kV AT					
	500 A	1 KA	1.5 kA	3.0 kA	5 kA	10 kA	20 kA	40 kA
129	91.9	95.7	98.0	103	108	116	125	143



GE ENERGY  
 FORT EDWARD, N.Y., U.S.A.

SIZE  
A

ANSI  
STATION CLASS

ARRESTER  
 9L11XPB048AS

DRAWN JBC DATE 5/03/2011

ISSUED DATE 5/03/2011

SCALE

SHEET 1 CONT ON -

DISTR. TO