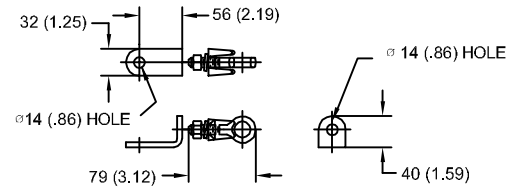


# 7.65 kV MCOV

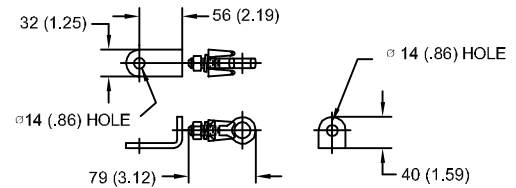
SIZE A	DWG NO 911XPE009AS	SHT 1	REV
REV	DESCRIPTION	DATE	APPROVED

### LINE TERMINAL DETAIL

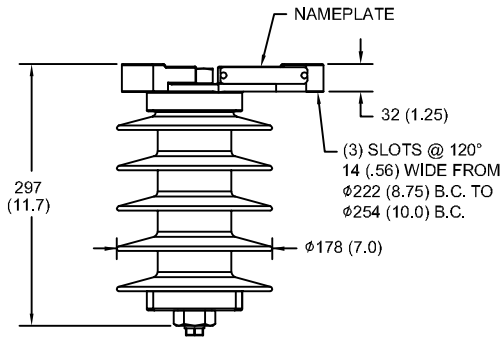


HDG TERMINAL BRACKET  
 ONE HDG TERMINAL  
 SUITABLE FOR CU OR AL CONDUCTOR SIZE  
 φ 7 (.25) - φ 21 (.81) DIA  
 25 - 240 sq mm  
 AWG#4 - 500 MCM

### GROUND TERMINAL DETAIL



HDG TERMINAL BRACKET  
 ONE HDG TERMINAL  
 SUITABLE FOR CU OR AL CONDUCTOR SIZE  
 φ 7 (.25) - φ 21 (.81) DIA  
 25 - 240 sq mm  
 AWG#4 - 500 MCM



### CHARACTERISTICS

RATED VOLTAGE	9 kVrms
MCOV	7.65 kVrms
MASS	6.8 kg (15.0 lb)
COG ABOVE BASE	150 (5.9)
CREEPAGE DISTANCE	765 (30.1)
STRIKE DISTANCE	221 (8.7)
LIGHTNING IMP W/S	127 kVpk
SWITCHING IMP WET W/S	106 kVpk
POWER FREQ WET W/S	63 kVrms
TOV 1s NO PRIOR DUTY	10.9 kVrms
TOV 10s NO PRIOR DUTY	10.4 kVrms
TOV 1s W/PRIOR DUTY	10.5 kVrms
TOV 10s W/PRIOR DUTY	10.1 kVrms

### CANTILEVER FORCE

MAXIMUM CONTINUOUS	2974 N (669 lbs)
ULTIMATE (max pk)	5947 N (1337 lbs)

### RECOMMENDED CLEARANCE (CENTER - CENTER)

PHASE TO GROUND	114 (4.5)
PHASE TO PHASE	229 (9.0)

- NOTES:  
 1. DIMENSIONS IN millimeters(inches) SUBJECT TO ±3% TOLERANCE  
 2. CLEARANCE AND INSULATION W/S VOLTAGE APPLY AT SEA LEVEL  
 3. ARRESTER SUITABLE FOR OPERATION AT ALTITUDES UP TO 1800 m (6000 ft)  
 4. PACKAGED IN A CORRUGATED BOX.

.5μSEC 10kA IR kV	SWITCHING SURGE IR kV		MAXIMUM 8/20 DISCHARGE VOLTAGE - kV AT					
	500 A	1 KA	1.5 kA	3.0 kA	5 kA	10 kA	20 kA	40 kA
27.0	18.0	18.8	19.2	20.2	21.2	22.7	24.6	28.0



GE ENERGY  
 FORT EDWARD, N.Y., U.S.A.

SIZE  
A

ANSI  
 STATION CLASS

ARRESTER  
 9L11XPE009AS

DRAWN JBC DATE 5/03/2011

ISSUED DATE 5/03/2011

SCALE

SHEET 1 CONT ON -

DISTR. TO