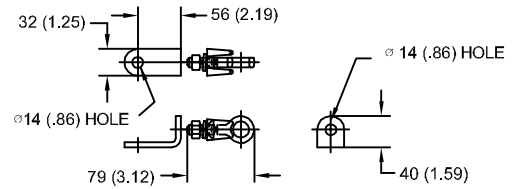


|           |                       |          |          |
|-----------|-----------------------|----------|----------|
| SIZE<br>A | DWG NO<br>911XPE012AS | SHT<br>1 | REV      |
| REV       | DESCRIPTION           | DATE     | APPROVED |
|           |                       |          |          |

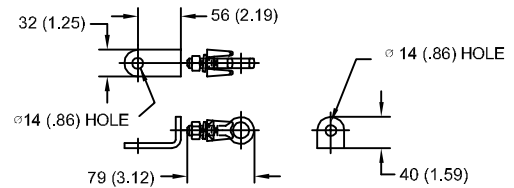
# 10.2 kV MCOV

## LINE TERMINAL DETAIL

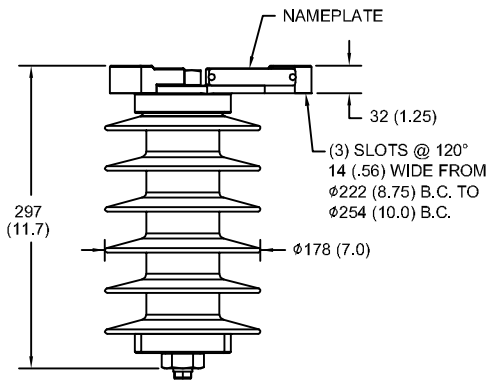


HDG TERMINAL BRACKET  
 ONE HDG TERMINAL  
 SUITABLE FOR CU OR AL CONDUCTOR SIZE  
 $\phi$  7 (.25) -  $\phi$  21 (.81) DIA  
 25 - 240 sq mm  
 AWG#4 - 500 MCM

## GROUND TERMINAL DETAIL



HDG TERMINAL BRACKET  
 ONE HDG TERMINAL  
 SUITABLE FOR CU OR AL CONDUCTOR SIZE  
 $\phi$  7 (.25) -  $\phi$  21 (.81) DIA  
 25 - 240 sq mm  
 AWG#4 - 500 MCM



| CHARACTERISTICS       |                  |
|-----------------------|------------------|
| RATED VOLTAGE         | 12 kVrms         |
| MCOV                  | 10.2 kVrms       |
| MASS                  | 6.8 kg (15.0 lb) |
| COG ABOVE BASE        | 150 (5.9)        |
| CREEPAGE DISTANCE     | 765 (30.1)       |
| STRIKE DISTANCE       | 221 (8.7)        |
| LIGHTNING IMP W/S     | 127 kVpk         |
| SWITCHING IMP WET W/S | 106 kVpk         |
| POWER FREQ WET W/S    | 63 kVrms         |
| TOV 1s NO PRIOR DUTY  | 14.5 kVrms       |
| TOV 10s NO PRIOR DUTY | 13.9 kVrms       |
| TOV 1s W/PRIOR DUTY   | 14.0 kVrms       |
| TOV 10s W/PRIOR DUTY  | 13.5 kVrms       |

| CANTILEVER FORCE   |                   |
|--------------------|-------------------|
| MAXIMUM CONTINUOUS | 2974 N (669 lbs)  |
| ULTIMATE (max pk)  | 5947 N (1337 lbs) |

| RECOMMENDED CLEARANCE (CENTER - CENTER) |           |
|---|-----------|
| PHASE TO GROUND                         | 117 (4.6) |
| PHASE TO PHASE                          | 229 (9.0) |

- NOTES:  
 1. DIMENSIONS IN millimeters(inches) SUBJECT TO  $\pm$ 3% TOLERANCE  
 2. CLEARANCE AND INSULATION W/S VOLTAGE APPLY AT SEA LEVEL  
 3. ARRESTER SUITABLE FOR OPERATION AT ALTITUDES UP TO 1800 m (6000 ft)  
 4. PACKAGED IN A CORRUGATED BOX.

| .5 $\mu$ SEC 10kA<br>IR kV | SWITCHING SURGE IR kV |      | MAXIMUM 8/20 DISCHARGE VOLTAGE - kV AT |        |      |       |       |       |
|----------------------------|-----------------------|------|--|--------|------|-------|-------|-------|
|                            | 500 A                 | 1 KA | 1.5 kA                                 | 3.0 kA | 5 kA | 10 kA | 20 kA | 40 kA |
| 35.1                       | 24.0                  | 25.0 | 25.6                                   | 26.9   | 28.2 | 30.3  | 32.8  | 37.4  |



GE ENERGY  
 FORT EDWARD, N.Y., U.S.A.

SIZE  
**A**

ANSI  
 STATION CLASS

**ARRESTER**  
**9L11XPE012AS**

DRAWN JBC DATE 5/03/2011

ISSUED DATE 5/03/2011

SCALE

SHEET 1 CONT ON -

DISTR. TO