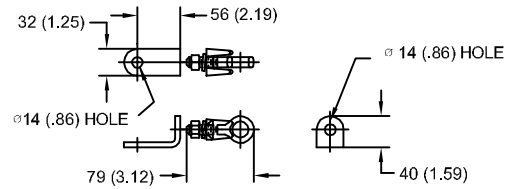


SIZE A	DWG NO 911XPE015AS	SHT 1	REV
REV	DESCRIPTION	DATE	APPROVED

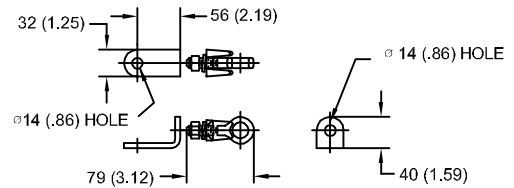
12.7 kV MCOV

LINE TERMINAL DETAIL

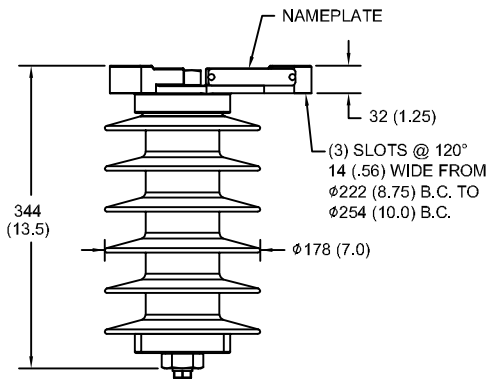


HDG TERMINAL BRACKET
 ONE HDG TERMINAL
 SUITABLE FOR CU OR AL CONDUCTOR SIZE
 ϕ 7 (.25) - ϕ 21 (.81) DIA
 25 - 240 sq mm
 AWG#4 - 500 MCM

GROUND TERMINAL DETAIL



HDG TERMINAL BRACKET
 ONE HDG TERMINAL
 SUITABLE FOR CU OR AL CONDUCTOR SIZE
 ϕ 7 (.25) - ϕ 21 (.81) DIA
 25 - 240 sq mm
 AWG#4 - 500 MCM



CHARACTERISTICS	
RATED VOLTAGE	15 kVrms
MCOV	12.7 kVrms
MASS	7.8 kg (17.3 lb)
COG ABOVE BASE	173 (6.8)
CREEPAGE DISTANCE	898 (35.4)
STRIKE DISTANCE	267 (10.5)
LIGHTNING IMP W/S	153 kVpk
SWITCHING IMP WET W/S	128 kVpk
POWER FREQ WET W/S	75 kVrms
TOV 1s NO PRIOR DUTY	18.0 kVrms
TOV 10s NO PRIOR DUTY	17.3 kVrms
TOV 1s W/PRIOR DUTY	17.5 kVrms
TOV 10s W/PRIOR DUTY	16.8 kVrms

CANTILEVER FORCE	
MAXIMUM CONTINUOUS	2646 N (595 lbs)
ULTIMATE (max pk)	5293 N (1190 lbs)

RECOMMENDED CLEARANCE (CENTER - CENTER)	
PHASE TO GROUND	137 (5.4)
PHASE TO PHASE	246 (9.7)

- NOTES:
 1. DIMENSIONS IN millimeters(inches) SUBJECT TO $\pm 3\%$ TOLERANCE
 2. CLEARANCE AND INSULATION W/S VOLTAGE APPLY AT SEA LEVEL
 3. ARRESTER SUITABLE FOR OPERATION AT ALTITUDES UP TO 1800 m (6000 ft)
 4. PACKAGED IN A CORRUGATED BOX.

.5 μ SEC 10kA IR kV	SWITCHING SURGE IR kV		MAXIMUM 8/20 DISCHARGE VOLTAGE - kV AT					
	500 A	1 KA	1.5 kA	3.0 kA	5 kA	10 kA	20 kA	40 kA
43.4	29.9	31.2	31.9	33.5	35.2	37.7	40.8	46.5



GE ENERGY
 FORT EDWARD, N.Y., U.S.A.

SIZE
A

ANSI
STATION CLASS

ARRESTER
9L11XPE015AS

DRAWN JBC DATE 5/03/2011

ISSUED DATE 5/03/2011

SCALE

SHEET 1 CONT ON -

DISTR. TO