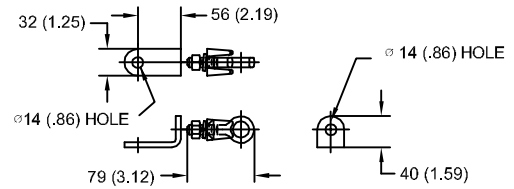


SIZE A	DWG NO 911XPE018AS	SHT 1	REV
REV	DESCRIPTION	DATE	APPROVED

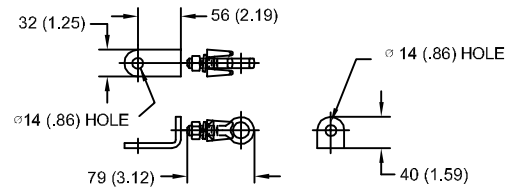
# 15.3 kV MCOV

### LINE TERMINAL DETAIL

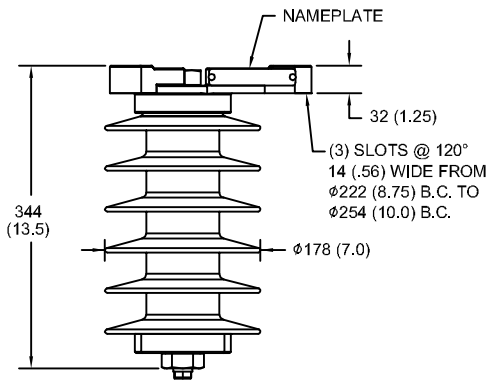


HDG TERMINAL BRACKET  
 ONE HDG TERMINAL  
 SUITABLE FOR CU OR AL CONDUCTOR SIZE  
 $\phi$  7 (.25) -  $\phi$  21 (.81) DIA  
 25 - 240 sq mm  
 AWG#4 - 500 MCM

### GROUND TERMINAL DETAIL



HDG TERMINAL BRACKET  
 ONE HDG TERMINAL  
 SUITABLE FOR CU OR AL CONDUCTOR SIZE  
 $\phi$  7 (.25) -  $\phi$  21 (.81) DIA  
 25 - 240 sq mm  
 AWG#4 - 500 MCM



CHARACTERISTICS	
RATED VOLTAGE	18 kVrms
MCOV	15.3 kVrms
MASS	7.8 kg (17.3 lb)
COG ABOVE BASE	173 (6.8)
CREEPAGE DISTANCE	898 (35.4)
STRIKE DISTANCE	267 (10.5)
LIGHTNING IMP W/S	153 kVpk
SWITCHING IMP WET W/S	128 kVpk
POWER FREQ WET W/S	75 kVrms
TOV 1s NO PRIOR DUTY	21.7 kVrms
TOV 10s NO PRIOR DUTY	20.8 kVrms
TOV 1s W/PRIOR DUTY	21.0 kVrms
TOV 10s W/PRIOR DUTY	20.2 kVrms

CANTILEVER FORCE	
MAXIMUM CONTINUOUS	2646 N (595 lbs)
ULTIMATE (max pk)	5293 N (1190 lbs)

RECOMMENDED CLEARANCE (CENTER - CENTER)	
PHASE TO GROUND	155 (6.1)
PHASE TO PHASE	269 (10.6)

- NOTES:  
 1. DIMENSIONS IN millimeters(inches) SUBJECT TO  $\pm 3\%$  TOLERANCE  
 2. CLEARANCE AND INSULATION W/S VOLTAGE APPLY AT SEA LEVEL  
 3. ARRESTER SUITABLE FOR OPERATION AT ALTITUDES UP TO 1800 m (6000 ft)  
 4. PACKAGED IN A CORRUGATED BOX.

.5 $\mu$ SEC 10kA IR kV	SWITCHING SURGE IR kV		MAXIMUM 8/20 DISCHARGE VOLTAGE - kV AT					
	500 A	1 KA	1.5 kA	3.0 kA	5 kA	10 kA	20 kA	40 kA
51.6	36.1	37.6	38.5	40.4	42.4	45.5	49.1	56.1



GE ENERGY  
 FORT EDWARD, N.Y., U.S.A.

SIZE  
A

ANSI  
STATION CLASS

ARRESTER  
 9L11XPE018AS

DRAWN JBC DATE 5/03/2011

ISSUED DATE 5/03/2011

SCALE

SHEET 1 CONT ON -

DISTR. TO