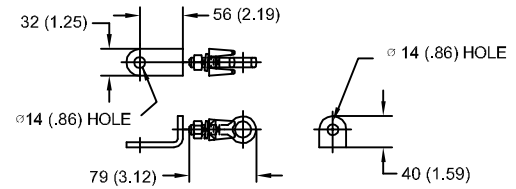


# 17 kV MCOV

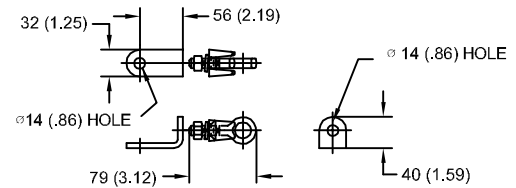
SIZE A	DWG NO 911XPE021AS	SHT 1	REV
REV	DESCRIPTION	DATE	APPROVED

## LINE TERMINAL DETAIL

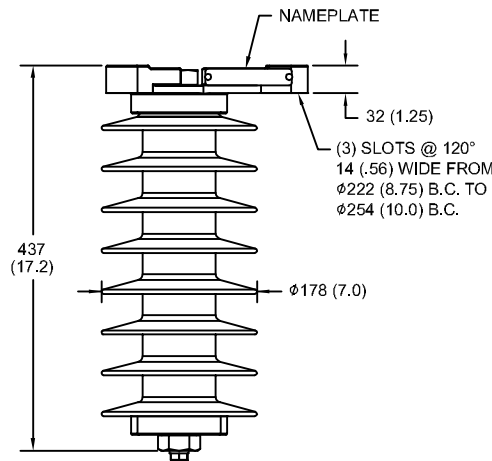


HDG TERMINAL BRACKET  
 ONE HDG TERMINAL  
 SUITABLE FOR CU OR AL CONDUCTOR SIZE  
 φ 7 (.25) - φ 21 (.81) DIA  
 25 - 240 sq mm  
 AWG#4 - 500 MCM

## GROUND TERMINAL DETAIL



HDG TERMINAL BRACKET  
 ONE HDG TERMINAL  
 SUITABLE FOR CU OR AL CONDUCTOR SIZE  
 φ 7 (.25) - φ 21 (.81) DIA  
 25 - 240 sq mm  
 AWG#4 - 500 MCM



## CHARACTERISTICS

RATED VOLTAGE	21 kVrms
MCOV	17 kVrms
MASS	9.9 kg (21.9 lb)
COG ABOVE BASE	218 (8.6)
CREEPAGE DISTANCE	1029 (40.5)
STRIKE DISTANCE	361 (14.2)
LIGHTNING IMP W/S	207 kVpk
SWITCHING IMP WET W/S	173 kVpk
POWER FREQ WET W/S	101 kVrms
TOV 1s NO PRIOR DUTY	24.2 kVrms
TOV 10s NO PRIOR DUTY	23.1 kVrms
TOV 1s W/PRIOR DUTY	23.4 kVrms
TOV 10s W/PRIOR DUTY	22.4 kVrms

## CANTILEVER FORCE

MAXIMUM CONTINUOUS	2173 N (489 lbs)
ULTIMATE (max pk)	4346 N (977 lbs)

## RECOMMENDED CLEARANCE (CENTER - CENTER)

PHASE TO GROUND	170 (6.7)
PHASE TO PHASE	284 (11.2)

- NOTES:  
 1. DIMENSIONS IN millimeters(inches) SUBJECT TO ±3% TOLERANCE  
 2. CLEARANCE AND INSULATION W/S VOLTAGE APPLY AT SEA LEVEL  
 3. ARRESTER SUITABLE FOR OPERATION AT ALTITUDES UP TO 1800 m (6000 ft)  
 4. PACKAGED IN A CORRUGATED BOX.

.5μSEC 10kA IR kV	SWITCHING SURGE IR kV		MAXIMUM 8/20 DISCHARGE VOLTAGE - kV AT					
	500 A	1 KA	1.5 kA	3.0 kA	5 kA	10 kA	20 kA	40 kA
57.8	40.1	41.7	42.7	44.9	47.1	50.5	54.6	62.3



GE ENERGY  
 FORT EDWARD, N.Y., U.S.A.

SIZE  
**A**

ANSI  
 STATION CLASS

**ARRESTER**  
**9L11XPE021AS**

DRAWN JBC DATE 5/03/2011

ISSUED DATE 5/03/2011

SCALE

SHEET 1 CONT ON -

DISTR. TO