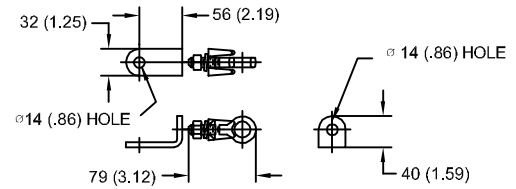


29 kV MCOV

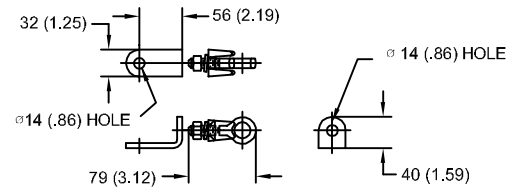
| | | | |
|-----------|-----------------------|----------|----------|
| SIZE A | DWG NO 911XPE036AS | SHT 1 | REV |
| REV | DESCRIPTION | DATE | APPROVED |
| | | | |

LINE TERMINAL DETAIL

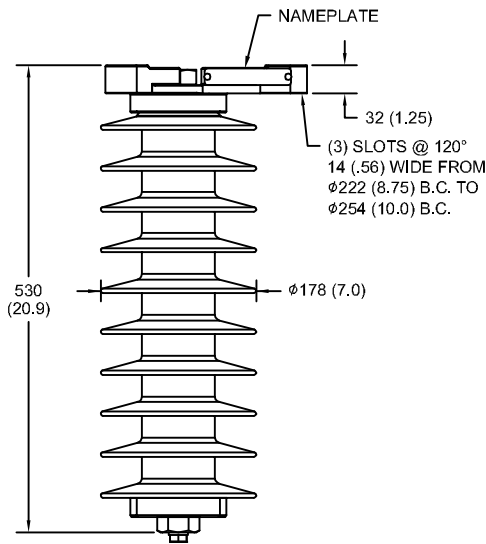


HDG TERMINAL BRACKET
 ONE HDG TERMINAL
 SUITABLE FOR CU OR AL CONDUCTOR SIZE
 φ 7 (.25) - φ 21 (.81) DIA
 25 - 240 sq mm
 AWG#4 - 500 MCM

GROUND TERMINAL DETAIL



HDG TERMINAL BRACKET
 ONE HDG TERMINAL
 SUITABLE FOR CU OR AL CONDUCTOR SIZE
 φ 7 (.25) - φ 21 (.81) DIA
 25 - 240 sq mm
 AWG#4 - 500 MCM



CHARACTERISTICS

| | |
|-----------------------|-------------------|
| RATED VOLTAGE | 36 kVrms |
| MCOV | 29 kVrms |
| MASS | 12.1 kg (26.6 lb) |
| COG ABOVE BASE | 267 (10.5) |
| CREEPAGE DISTANCE | 1294 (50.9) |
| STRIKE DISTANCE | 455 (17.9) |
| LIGHTNING IMP W/S | 261 kVpk |
| SWITCHING IMP WET W/S | 219 kVpk |
| POWER FREQ WET W/S | 125 kVrms |
| TOV 1s NO PRIOR DUTY | 41.4 kVrms |
| TOV 10s NO PRIOR DUTY | 39.6 kVrms |
| TOV 1s W/PRIOR DUTY | 40.0 kVrms |
| TOV 10s W/PRIOR DUTY | 38.4 kVrms |

CANTILEVER FORCE

| | |
|--------------------|------------------|
| MAXIMUM CONTINUOUS | 1843 N (414 lbs) |
| ULTIMATE (max pk) | 3687 N (829 lbs) |

RECOMMENDED CLEARANCE (CENTER - CENTER)

| | |
|-----------------|------------|
| PHASE TO GROUND | 262 (10.3) |
| PHASE TO PHASE | 391 (15.4) |

- NOTES:
 1. DIMENSIONS IN millimeters(inches) SUBJECT TO ±3% TOLERANCE
 2. CLEARANCE AND INSULATION W/S VOLTAGE APPLY AT SEA LEVEL
 3. ARRESTER SUITABLE FOR OPERATION AT ALTITUDES UP TO 1800 m (6000 ft)
 4. PACKAGED IN A CORRUGATED BOX.

| .5μSEC 10kA IR kV | SWITCHING SURGE IR kV | | MAXIMUM 8/20 DISCHARGE VOLTAGE - kV AT | | | | | |
|----------------------|-----------------------|------|--|--------|------|-------|-------|-------|
| | 500 A | 1 KA | 1.5 kA | 3.0 kA | 5 kA | 10 kA | 20 kA | 40 kA |
| 97.0 | 68.6 | 71.5 | 73.2 | 76.9 | 80.7 | 86.5 | 93.6 | 107 |



GE ENERGY
 FORT EDWARD, N.Y., U.S.A.

SIZE
A

ANSI
 STATION CLASS

ARRESTER
9L11XPE036AS

DRAWN JBC DATE 5/03/2011

ISSUED DATE 5/03/2011

SCALE

SHEET 1 CONT ON -

DISTR. TO