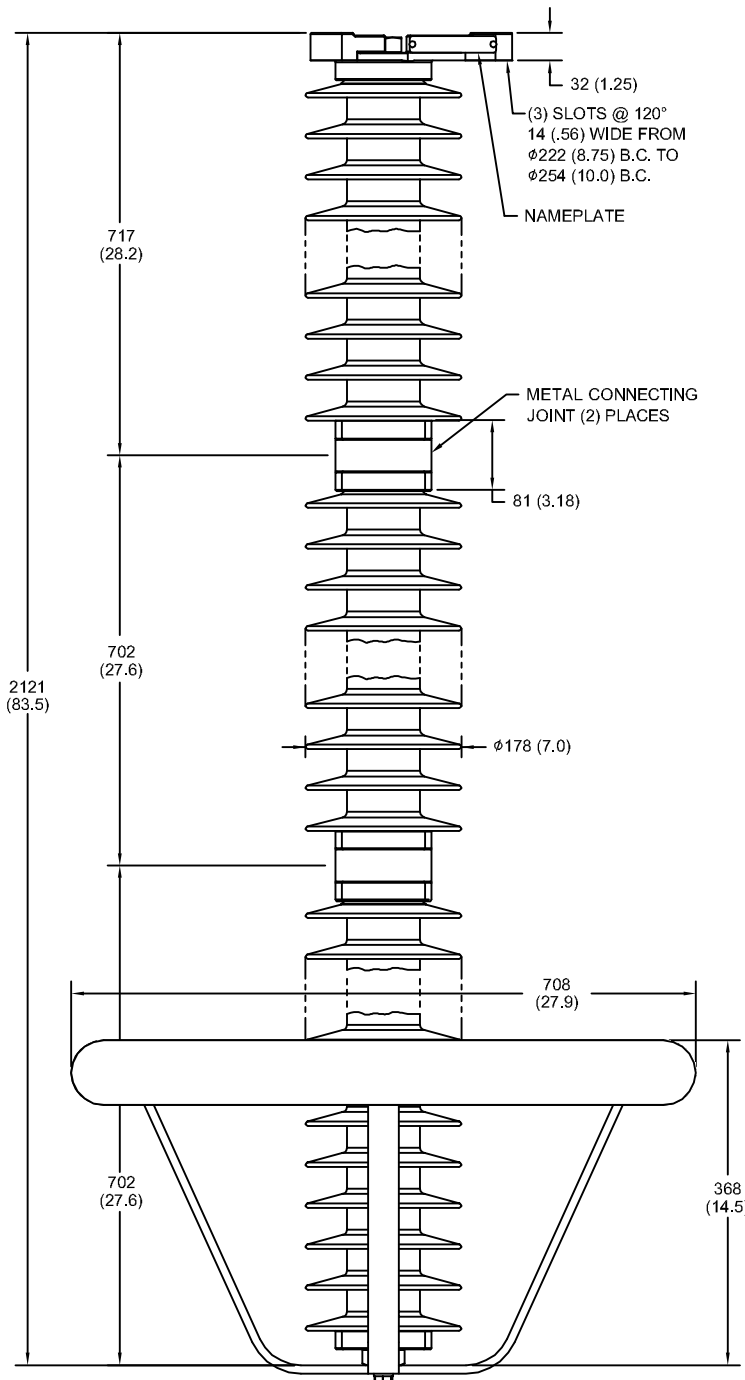
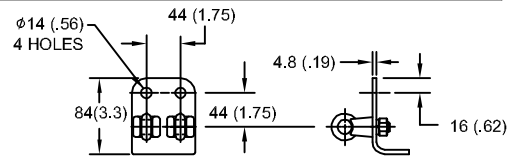


152 kV MCOV

SIZE A	DWG NO 911XPE192AS	SHT 1	REV
REV	DESCRIPTION	DATE	APPROVED

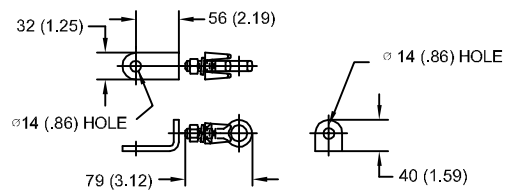


LINE TERMINAL DETAIL



HDG 4-HOLE TERMINAL PAD
TWO HDG TERMINALS
SUITABLE FOR CU OR AL CONDUCTOR SIZE
φ 7 (.25) - φ 21 (.81) DIA
25 - 240 sq mm
AWG#4 - 500 MCM

GROUND TERMINAL DETAIL



HDG TERMINAL BRACKET
ONE HDG TERMINAL
SUITABLE FOR CU OR AL CONDUCTOR SIZE
φ 7 (.25) - φ 21 (.81) DIA
25 - 240 sq mm
AWG#4 - 500 MCM

CHARACTERISTICS	
RATED VOLTAGE	192 kVrms
MCOV	152 kVrms
MASS	54.6 kg (120 lb)
COG ABOVE BASE	1139 (44.8)
CREEPAGE DISTANCE	5482 (215.8)
STRIKE DISTANCE	1753 (69.0)
LIGHTNING IMP W/S	1006 kVpk
SWITCHING IMP WET W/S	843 kVpk
POWER FREQ WET W/S	395 kVrms
TOV 1s NO PRIOR DUTY	221 kVrms
TOV 10s NO PRIOR DUTY	211 kVrms
TOV 1s W/PRIOR DUTY	214 kVrms
TOV 10s W/PRIOR DUTY	205 kVrms

CANTILEVER FORCE	
MAXIMUM CONTINUOUS	256 N (58 lbs)
ULTIMATE (max pk)	1025 N (230 lbs)

RECOMMENDED CLEARANCE (CENTER - CENTER)	
PHASE TO GROUND	1671 (65.8)
PHASE TO PHASE	2024 (79.7)

- NOTES:
1. DIMENSIONS IN millimeters(inches) SUBJECT TO ±3% TOLERANCE
2. CLEARANCE AND INSULATION W/S VOLTAGE APPLY AT SEA LEVEL
3. ARRESTER SUITABLE FOR OPERATION AT ALTITUDES UP TO 1800 m (6000 ft)
4. PACKAGED IN A WOOD CRATE.

.5μSEC 10kA IR kV	SWITCHING SURGE IR kV		MAXIMUM 8/20 DISCHARGE VOLTAGE - kV AT					
	500 A	1 KA	1.5 kA	3.0 kA	5 kA	10 kA	20 kA	40 kA
510	366	381	391	411	430	462	499	569



GE ENERGY
FORT EDWARD, N.Y., U.S.A.

SIZE
A

ANSI
STATION CLASS

ARRESTER
9L11XPE192AS

DRAWN JBC DATE 5/03/2011

ISSUED DATE 5/03/2011

SCALE

SHEET 1 CONT ON -

DISTR. TO