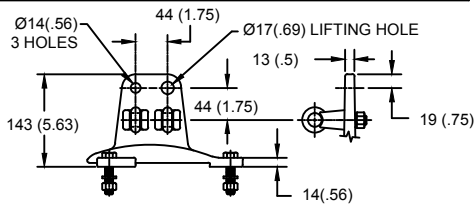
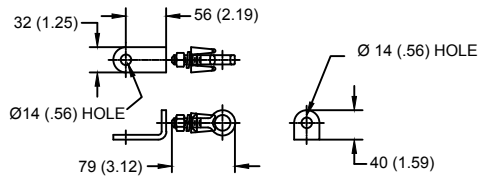


**LINE TERMINAL DETAIL**

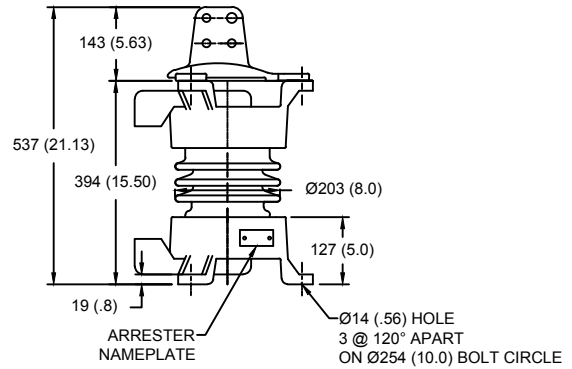


HDG 4-HOLE TERMINAL PAD, PART No. 901704001  
 TWO HDG TERMINALS, PART No. 2714143001  
 SUITABLE FOR COPPER OR ALUMINUM CONDUCTOR SIZE  
 Ø 7 (.25) - Ø 21 (.81)  
 25 - 240 sq mm  
 AWG#4 - 500 MCM

**GROUND TERMINAL DETAIL**



HDG TERMINAL BRACKET, PART No. 896064001  
 ONE HDG TERMINAL, PART No. 2714143001  
 SUITABLE FOR COPPER OR ALUMINUM CONDUCTOR SIZE  
 Ø 7 (.25) - Ø 21 (.81)  
 25 - 240 sq mm  
 AWG#4 - 500 MCM



Ø = DIAMETER  
 HDG = HOT DIP GALVANIZED

CHARACTERISTICS	
RATED VOLTAGE	15 kVrms
MCOV	12.7 kVrms
MASS	38kg (84lb)
CREEPAGE DISTANCE	282 (11.1)
LIGHTNING IMP W/S	110 kV
SWITCHING IMP W/S	88 kV
POWER FREQ W/S	45 kVrms
TOV 1s	18.7 kVrms
TOV 10s	18.0 kVrms
COG ABOVE BASE	223 (8.8)
HOUSING	GREY PORCELAIN

CANTILEVER FORCE	
MAXIMUM CONTINUOUS	5895 N (1325lbf)
ULTIMATE (UMS)	14738 N (3313lbf)

RECOMMENDED CLEARANCE (TO METAL PARTS)	
PHASE TO GROUND	42 (1.6)
PHASE TO PHASE	53 (2.1)

- NOTES:  
 1. DIMENSIONS IN millimeters(inches) SUBJECT TO ±3% TOLERANCE  
 2. CLEARANCE AND INSULATION W/S VOLTAGE APPLY AT SEA LEVEL  
 3. ARRESTER SUITABLE FOR OPERATION AT ALTITUDES UP TO 4500m (14800ft)

DISCHARGE VOLTAGE (kV) FOR INDICATED IMPULSE TYPES AND CURRENT MAGNITUDES									
FRONT OF WAVE	SWITCHING SURGE	8/20 LIGHTNING IMPULSE							
		10 kA	0.5 kA	1 kA	1.5 kA	3 kA	5 kA	10 kA	20 kA
42	31	32	33	34.7	36.4	39	42.7	47.7	

IEEE C62.11  
 STATION CLASS  
 ARRESTER

Program Revision  
 2021.04.23.04.46.14

REV DATE  
**01/11/2021**

TITLE				<b>GE ARRESTER 12.7 KV MCOV</b>			
SIZE	DWG NO.	CAT / PART / ASSY NO.		REV			
S	211512688	9L11ZGA015AS		1			
DO NOT SCALE THIS DRAWING		DRN BY	NON	DATE	01/11/2021	SHEET 1 OF 1	