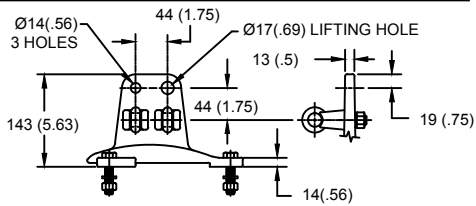
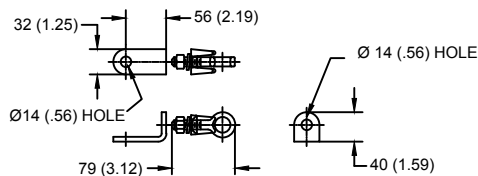


**LINE TERMINAL DETAIL**

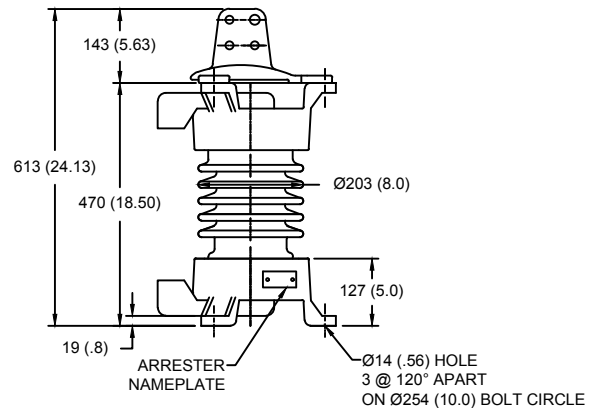


HDG 4-HOLE TERMINAL PAD, PART No. 901704001  
 TWO HDG TERMINALS, PART No. 2714143001  
 SUITABLE FOR COPPER OR ALUMINUM CONDUCTOR SIZE  
 Ø 7 (.25) - Ø 21 (.81)  
 25 - 240 sq mm  
 AWG#4 - 500 MCM

**GROUND TERMINAL DETAIL**



HDG TERMINAL BRACKET, PART No. 896064001  
 ONE HDG TERMINAL, PART No. 2714143001  
 SUITABLE FOR COPPER OR ALUMINUM CONDUCTOR SIZE  
 Ø 7 (.25) - Ø 21 (.81)  
 25 - 240 sq mm  
 AWG#4 - 500 MCM



Ø = DIAMETER  
 HDG = HOT DIP GALVANIZED

CHARACTERISTICS	
RATED VOLTAGE	18 kVrms
MCOV	15.3 kVrms
MASS	41kg (91lb)
CREEPAGE DISTANCE	508 (20.0)
LIGHTNING IMP W/S	150 kV
SWITCHING IMP W/S	120 kV
POWER FREQ W/S	60 kVrms
TOV 1s	22.5 kVrms
TOV 10s	21.6 kVrms
COG ABOVE BASE	263 (10.4)
HOUSING	GREY PORCELAIN
CANTILEVER FORCE	
MAXIMUM CONTINUOUS	5162 N (1160lbf)
ULTIMATE (UMS)	12906 N (2901lbf)
RECOMMENDED CLEARANCE (TO METAL PARTS)	
PHASE TO GROUND	58 (2.3)
PHASE TO PHASE	53 (2.1)

- NOTES:  
 1. DIMENSIONS IN millimeters(inches) SUBJECT TO ±3% TOLERANCE  
 2. CLEARANCE AND INSULATION W/S VOLTAGE APPLY AT SEA LEVEL  
 3. ARRESTER SUITABLE FOR OPERATION AT ALTITUDES UP TO 4500m (14800ft)

DISCHARGE VOLTAGE (kV) FOR INDICATED IMPULSE TYPES AND CURRENT MAGNITUDES								
FRONT OF WAVE	SWITCHING SURGE		8/20 LIGHTNING IMPULSE					
	0.5 kA	1 kA	1.5 kA	3 kA	5 kA	10 kA	20 kA	40 kA
10 kA	38	39	39.7	41.9	43.9	47	51.5	57.5

IEEE C62.11  
 STATION CLASS  
 ARRESTER

Program Revision  
 2021.04.23.04.46.14

REV DATE  
**01/11/2021**

TITLE			
<b>GE ARRESTER 15.3 KV MCOV</b>			
SIZE	DWG NO.	CAT / PART / ASSY NO.	REV
S	211512689	9L11ZGA018AS	1
DO NOT SCALE THIS DRAWING	DRN BY	DATE	SHEET
	NON	01/11/2021	1 OF 1