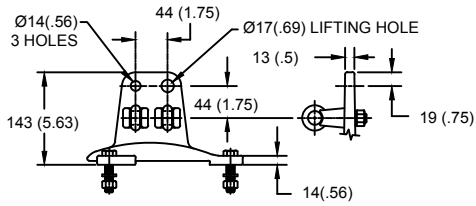
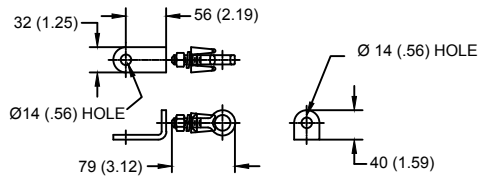


LINE TERMINAL DETAIL

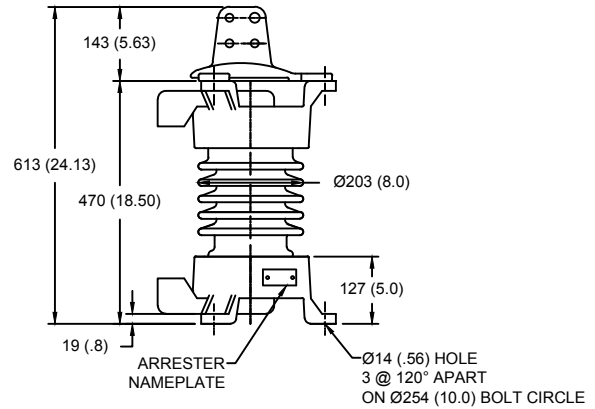


HDG 4-HOLE TERMINAL PAD, PART No. 901704001
 TWO HDG TERMINALS, PART No. 2714143001
 SUITABLE FOR COPPER OR ALUMINUM CONDUCTOR SIZE
 Ø 7 (.25) - Ø 21 (.81)
 25 - 240 sq mm
 AWG#4 - 500 MCM

GROUND TERMINAL DETAIL



HDG TERMINAL BRACKET, PART No. 896064001
 ONE HDG TERMINAL, PART No. 2714143001
 SUITABLE FOR COPPER OR ALUMINUM CONDUCTOR SIZE
 Ø 7 (.25) - Ø 21 (.81)
 25 - 240 sq mm
 AWG#4 - 500 MCM



Ø = DIAMETER
 HDG = HOT DIP GALVANIZED

CHARACTERISTICS	
RATED VOLTAGE	21 kVrms
MCOV	17 kVrms
MASS	42kg (91lb)
CREEPAGE DISTANCE	508 (20.0)
LIGHTNING IMP W/S	150 kV
SWITCHING IMP W/S	120 kV
POWER FREQ W/S	60 kVrms
TOV 1s	25.0 kVrms
TOV 10s	24.1 kVrms
COG ABOVE BASE	263 (10.4)
HOUSING	GREY PORCELAIN
CANTILEVER FORCE	
MAXIMUM CONTINUOUS	5162 N (1160lbf)
ULTIMATE (UMS)	12906 N (2901lbf)
RECOMMENDED CLEARANCE (TO METAL PARTS)	
PHASE TO GROUND	68 (2.7)
PHASE TO PHASE	54 (2.1)

- NOTES:
 1. DIMENSIONS IN millimeters(inches) SUBJECT TO ±3% TOLERANCE
 2. CLEARANCE AND INSULATION W/S VOLTAGE APPLY AT SEA LEVEL
 3. ARRESTER SUITABLE FOR OPERATION AT ALTITUDES UP TO 4500m (14800ft)

DISCHARGE VOLTAGE (kV) FOR INDICATED IMPULSE TYPES AND CURRENT MAGNITUDES								
FRONT OF WAVE	SWITCHING SURGE		8/20 LIGHTNING IMPULSE					
	0.5 kA	1 kA	1.5 kA	3 kA	5 kA	10 kA	20 kA	40 kA
10 kA	41	43	43.5	45.9	48.1	51.5	56.4	63

IEEE C62.11
 STATION CLASS
 ARRESTER

Program Revision
 2021.04.23.04.46.14

REV DATE
01/11/2021

TITLE				GE ARRESTER 17 KV MCOV			
SIZE	DWG NO.	CAT / PART / ASSY NO.		REV			
S	211512690	9L11ZGA021AS		1			
DO NOT SCALE THIS DRAWING		DRN BY	NON	DATE	01/11/2021	SHEET 1 OF 1	