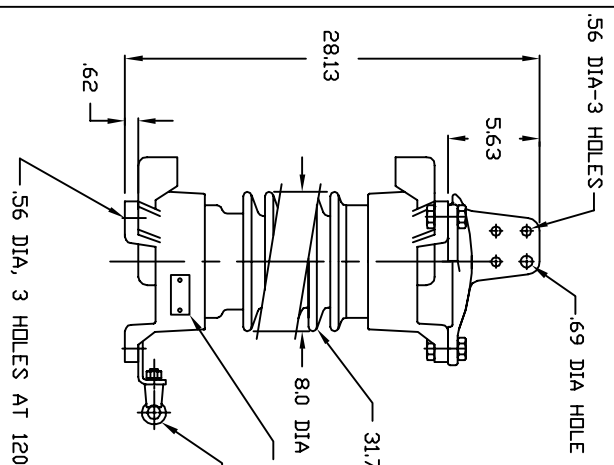


- NOTES:
- 1 ARRESTER PACKAGED FOR DOMESTIC SHIPMENT
  - 2 NET WEIGHT 91 LB
  - 3 MAXIMUM CONTINUOUS LINE TO GROUND OPERATING VOLTAGE, 24.4 KV RMS
  - 4 DIMENSIONS SUBJECT TO ± 3% TOLERANCE
  - 5 DUTY CYCLE VOLTAGE RATING 30 KV RMS



ANSI 70 GREY GLAZE  
 ALTITUDE TO 12,000 FT

|                       |                                |  |        |      |       |       |       |
|-----------------------|--------------------------------|--|--------|------|-------|-------|-------|
| 5 μ SEC 10KA<br>IR KV | 500 A SWITCHING<br>SURGE IR KV | MAXIMUM 8/20 DISCHARGE VOLTAGE - KV AT |        |      |       |       |       |
|                       |                                | 1.5 KA                                 | 3.0 KA | 5 KA | 10 KA | 20 KA | 40 KA |
| 84.9                  | 58.7                           | 64.3                                   | 67.4   | 70.3 | 75.1  | 84.2  | 96.5  |

|                            |               |                 |             |
|----------------------------|---------------|-----------------|-------------|
| PART PORCELAIN STATION ARR |               | SCALE           |             |
| NAME 9L11ZGA030S           |               | .12=1           |             |
| DESIGN ALL                 | DATE 02/23/98 | DWG. S015331-00 | REV. NO. 00 |
| DRAWN JVR                  | DATE 02/23/98 |                 |             |