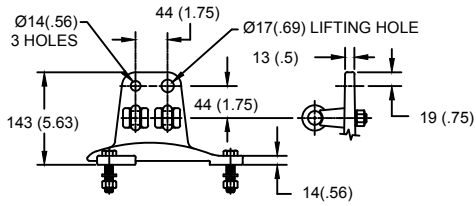
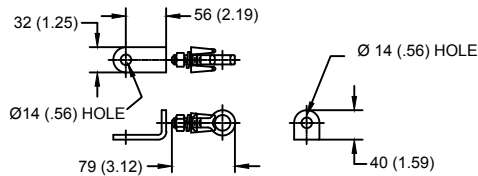


**LINE TERMINAL DETAIL**



HDG 4-HOLE TERMINAL PAD, PART No. 901704001  
 TWO HDG TERMINALS, PART No. 2714143001  
 SUITABLE FOR COPPER OR ALUMINUM CONDUCTOR SIZE  
 Ø 7 (.25) - Ø 21 (.81)  
 25 - 240 sq mm  
 AWG#4 - 500 MCM

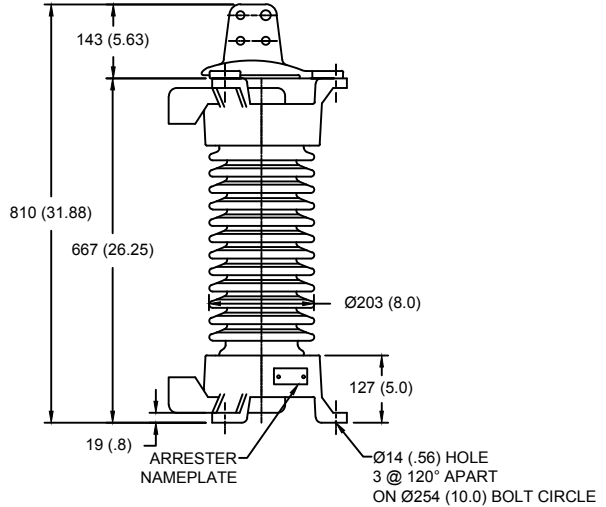
**GROUND TERMINAL DETAIL**



HDG TERMINAL BRACKET, PART No. 896064001  
 ONE HDG TERMINAL, PART No. 2714143001  
 SUITABLE FOR COPPER OR ALUMINUM CONDUCTOR SIZE  
 Ø 7 (.25) - Ø 21 (.81)  
 25 - 240 sq mm  
 AWG#4 - 500 MCM

Ø = DIAMETER  
 HDG = HOT DIP GALVANIZED

CHARACTERISTICS	
RATED VOLTAGE	39 kVrms
MCOV	31.5 kVrms
MASS	52kg (115lb)
CREEPAGE DISTANCE	1041 (41.0)
LIGHTNING IMP W/S	250 kV
SWITCHING IMP W/S	200 kV
POWER FREQ W/S	100 kVrms
TOV 1s	46.3 kVrms
TOV 10s	44.6 kVrms
COG ABOVE BASE	365 (14.4)
HOUSING	GREY PORCELAIN
CANTILEVER FORCE	
MAXIMUM CONTINUOUS	3907 N (878lbf)
ULTIMATE (UMS)	9768 N (2196lbf)
RECOMMENDED CLEARANCE (TO METAL PARTS)	
PHASE TO GROUND	160 (6.3)
PHASE TO PHASE	128 (5.1)



NOTES:  
 1. DIMENSIONS IN millimeters(inches) SUBJECT TO ±3% TOLERANCE  
 2. CLEARANCE AND INSULATION W/S VOLTAGE APPLY AT SEA LEVEL  
 3. ARRESTER SUITABLE FOR OPERATION AT ALTITUDES UP TO 4500m (14800ft)

DISCHARGE VOLTAGE (kV) FOR INDICATED IMPULSE TYPES AND CURRENT MAGNITUDES									
FRONT OF WAVE	SWITCHING SURGE			8/20 LIGHTNING IMPULSE					
	10 kA	0.5 kA	1 kA	1.5 kA	3 kA	5 kA	10 kA	20 kA	40 kA
103	75.5	78.5	80.7	85.1	89.2	95.5	104.6	116.8	

IEEE C62.11  
 STATION CLASS  
 ARRESTER

Program Revision  
 2021.04.23.04.46.14

REV DATE  
**01/11/2021**

TITLE <b>GE ARRESTER 31.5 KV MCOV</b>			
SIZE <b>S</b>	DWG NO. <b>211512695</b>	CAT / PART / ASSY NO. <b>9L11ZGA039AS</b>	REV <b>1</b>
DO NOT SCALE THIS DRAWING	DRN BY <b>NON</b>	DATE <b>01/11/2021</b>	SHEET <b>1 OF 1</b>