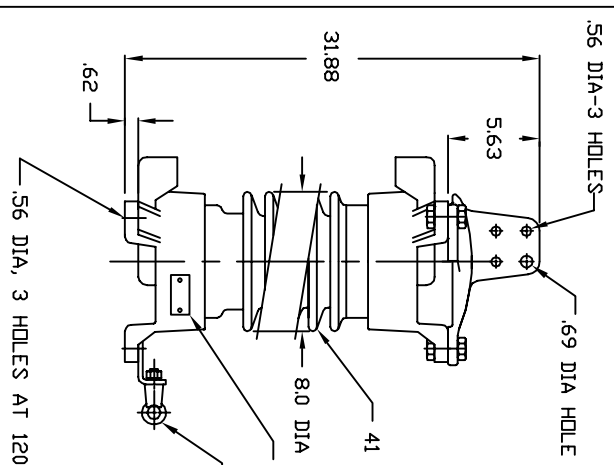


CLAMP TYPE LINE TERMINAL'S SUITABLE FOR USE WITH COPPER OR ALUMINUM CONDUCTOR .25 TO .81 DIA

- NOTES:
- 1 ARRESTER PACKAGED FOR DOMESTIC SHIPMENT
 - 2 NET WEIGHT 105 LB
 - 3 MAXIMUM CONTINUOUS LINE TO GROUND OPERATING VOLTAGE, 31.5 KV RMS
 - 4 DIMENSIONS SUBJECT TO ± 3% TOLERANCE
 - 5 DUTY CYCLE VOLTAGE RATING 39 KV RMS



ANSI 70 GREY GLAZE
ALTITUDE TO 12,000 FT

5 μ SEC 10KA IR KV	500 A SWITCHING SURGE IR KV	MAXIMUM 8/20 DISCHARGE VOLTAGE - KV AT					
		1.5 KA	3.0 KA	5 KA	10 KA	20 KA	40 KA
110.0	75.8	83.0	86.9	90.6	96.9	109.0	125.0

PART PORCELAIN STATION ARR		SCALE	
NAME 9L11ZGA039S		.12=1	
DESIGN ALL	DATE 02/23/98	DWG. NO. S015333-00	REV. NO. 00
DRAWN JVR	DATE 02/24/98		