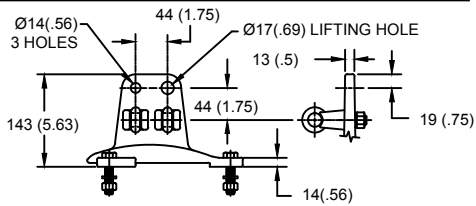
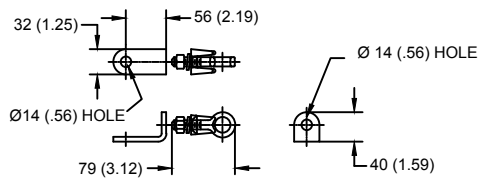


LINE TERMINAL DETAIL



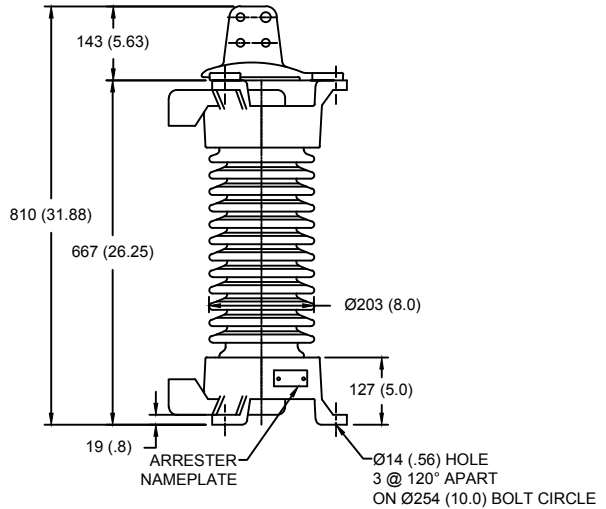
HDG 4-HOLE TERMINAL PAD, PART No. 901704001
 TWO HDG TERMINALS, PART No. 2714143001
 SUITABLE FOR COPPER OR ALUMINUM CONDUCTOR SIZE
 Ø 7 (.25) - Ø 21 (.81)
 25 - 240 sq mm
 AWG#4 - 500 MCM

GROUND TERMINAL DETAIL



HDG TERMINAL BRACKET, PART No. 896064001
 ONE HDG TERMINAL, PART No. 2714143001
 SUITABLE FOR COPPER OR ALUMINUM CONDUCTOR SIZE
 Ø 7 (.25) - Ø 21 (.81)
 25 - 240 sq mm
 AWG#4 - 500 MCM

Ø = DIAMETER
 HDG = HOT DIP GALVANIZED



CHARACTERISTICS	
RATED VOLTAGE	45 kVrms
MCOV	36.5 kVrms
MASS	53kg (116lb)
CREEPAGE DISTANCE	1041 (41.0)
LIGHTNING IMP W/S	250 kV
SWITCHING IMP W/S	200 kV
POWER FREQ W/S	100 kVrms
TOV 1s	53.7 kVrms
TOV 10s	51.6 kVrms
COG ABOVE BASE	365 (14.4)
HOUSING	GREY PORCELAIN

CANTILEVER FORCE	
MAXIMUM CONTINUOUS	3907 N (878lbf)
ULTIMATE (UMS)	9768 N (2196lbf)

RECOMMENDED CLEARANCE (TO METAL PARTS)	
PHASE TO GROUND	193 (7.6)
PHASE TO PHASE	154 (6.1)

NOTES:
 1. DIMENSIONS IN millimeters(inches) SUBJECT TO ±3% TOLERANCE
 2. CLEARANCE AND INSULATION W/S VOLTAGE APPLY AT SEA LEVEL
 3. ARRESTER SUITABLE FOR OPERATION AT ALTITUDES UP TO 4500m (14800ft)

DISCHARGE VOLTAGE (kV) FOR INDICATED IMPULSE TYPES AND CURRENT MAGNITUDES									
FRONT OF WAVE	SWITCHING SURGE		8/20 LIGHTNING IMPULSE						
	10 kA	0.5 kA	1 kA	1.5 kA	3 kA	5 kA	10 kA	20 kA	40 kA
120	87.5	91	93.8	98.9	103.7	111	121.5	135.8	

IEEE C62.11
 STATION CLASS
 ARRESTER

Program Revision
 2021.04.23.04.46.14

REV DATE
01/11/2021

TITLE				GE ARRESTER 36.5 KV MCOV			
SIZE	DWG NO.	CAT / PART / ASSY NO.		REV			
S	211512696	9L11ZGA045AS		1			
DO NOT SCALE THIS DRAWING		DRN BY	NON	DATE	01/11/2021	SHEET 1 OF 1	