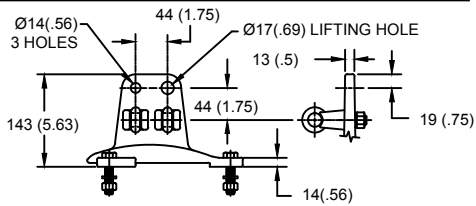
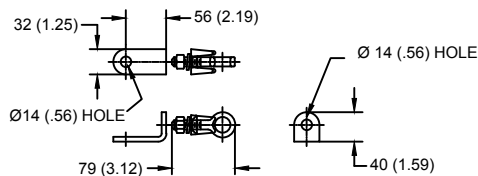


**LINE TERMINAL DETAIL**



HDG 4-HOLE TERMINAL PAD, PART No. 901704001  
 TWO HDG TERMINALS, PART No. 2714143001  
 SUITABLE FOR COPPER OR ALUMINUM CONDUCTOR SIZE  
 Ø 7 (.25) - Ø 21 (.81)  
 25 - 240 sq mm  
 AWG#4 - 500 MCM

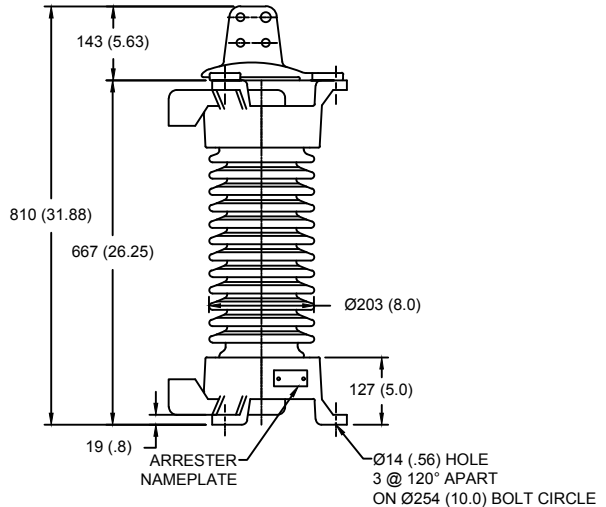
**GROUND TERMINAL DETAIL**



HDG TERMINAL BRACKET, PART No. 896064001  
 ONE HDG TERMINAL, PART No. 2714143001  
 SUITABLE FOR COPPER OR ALUMINUM CONDUCTOR SIZE  
 Ø 7 (.25) - Ø 21 (.81)  
 25 - 240 sq mm  
 AWG#4 - 500 MCM

Ø = DIAMETER  
 HDG = HOT DIP GALVANIZED

CHARACTERISTICS	
RATED VOLTAGE	48 kVrms
MCOV	39 kVrms
MASS	53kg (116lb)
CREEPAGE DISTANCE	1041 (41.0)
LIGHTNING IMP W/S	250 kV
SWITCHING IMP W/S	200 kV
POWER FREQ W/S	100 kVrms
TOV 1s	57.4 kVrms
TOV 10s	55.2 kVrms
COG ABOVE BASE	365 (14.4)
HOUSING	GREY PORCELAIN
CANTILEVER FORCE	
MAXIMUM CONTINUOUS	3907 N (878lbf)
ULTIMATE (UMS)	9768 N (2196lbf)
RECOMMENDED CLEARANCE (TO METAL PARTS)	
PHASE TO GROUND	208 (8.2)
PHASE TO PHASE	166 (6.5)



NOTES:  
 1. DIMENSIONS IN millimeters(inches) SUBJECT TO ±3% TOLERANCE  
 2. CLEARANCE AND INSULATION W/S VOLTAGE APPLY AT SEA LEVEL  
 3. ARRESTER SUITABLE FOR OPERATION AT ALTITUDES UP TO 4500m (14800ft)

DISCHARGE VOLTAGE (kV) FOR INDICATED IMPULSE TYPES AND CURRENT MAGNITUDES									
FRONT OF WAVE	SWITCHING SURGE		8/20 LIGHTNING IMPULSE						
	10 kA	0.5 kA	1 kA	1.5 kA	3 kA	5 kA	10 kA	20 kA	40 kA
127	93	97	99.7	105.1	110.2	118	129.2	144.3	

IEEE C62.11  
 STATION CLASS  
 ARRESTER

Program Revision  
 2021.04.23.04.46.14

REV DATE  
**01/11/2021**

TITLE				<b>GE ARRESTER 39 KV MCOV</b>			
SIZE	DWG NO.	CAT / PART / ASSY NO.		REV			
S	211512697	9L11ZGA048AS		1			
DO NOT SCALE THIS DRAWING		DRN BY	NON	DATE	01/11/2021	SHEET 1 OF 1	