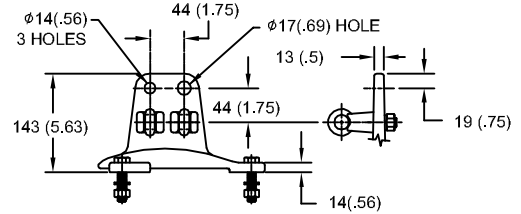


106kV MCOV

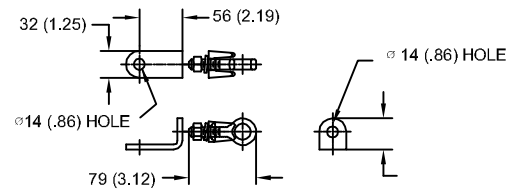
SIZE A	DWG NO 9L11ZTA132AS	SHT 1	REV
REV	DESCRIPTION	DATE	APPROVED

LINE TERMINAL DETAIL

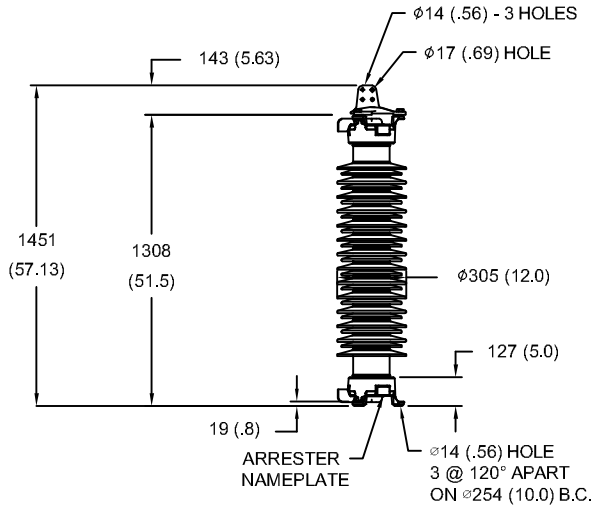


HDG 4-HOLE TERMINAL PAD
 TWO HDG TERMINALS
 SUITABLE FOR CU OR AL CONDUCTOR SIZE
 ϕ 7 (.25) - ϕ 21 (.81) DIA
 25 - 240 sq mm
 AWG#4 - 500 MCM

GROUND TERMINAL DETAIL



HDG TERMINAL BRACKET
 ONE HDG TERMINAL
 SUITABLE FOR CU OR AL CONDUCTOR SIZE
 ϕ 7 (.25) - ϕ 21 (.81) DIA
 25 - 240 sq mm
 AWG#4 - 500 MCM



CHARACTERISTICS	
RATED VOLTAGE	132 kVrms
MCOV	106 kVrms
MASS	134kg (294lb)
CREEPAGE DISTANCE	3874 (152.5)
LIGHTNING IMP W/S	600 kV
SWITCHING IMP W/S	523 kV
POWER FREQ W/S	314 kVrms
TOV 1s	158 kVrms
TOV 10s	151 kVrms
COG ABOVE BASE	679 (26.7)
HOUSING	GREY PORCELAIN

CANTILEVER FORCE	
MAXIMUM CONTINUOUS	4686 N (1053lbf)
ULTIMATE (UMS)	11715 N (2634lbf)

RECOMMENDED CLEARANCE (TO METAL PARTS)	
PHASE TO GROUND	592 (23.3)
PHASE TO PHASE	682 (26.9)

NOTES:
 1. DIMENSIONS IN millimeters(inches) SUBJECT TO $\pm 3\%$ TOLERANCE
 2. CLEARANCE AND INSULATION W/S VOLTAGE APPLY AT SEA LEVEL
 3. ARRESTER SUITABLE FOR OPERATION AT ALTITUDES UP TO 3650m (12000ft)

DISCHARGE VOLTAGE (kV) FOR INDICATED IMPULSE TYPES AND CURRENT MAGNITUDES							
FRONT OF WAVE	SWITCHING SURGE	8/20 LIGHTNING IMPULSE					
		1.5 kA	3 kA	5 kA	10 kA	20 kA	40 kA
10 kA	1 kA	273	284	294	308	329	362
334	261						



GE ENERGY
 FORT EDWARD, N.Y., U.S.A.

SIZE
A

ANSI
 STATION CLASS

ARRESTER
9L11ZTA132AS

DRAWN JBC DATE 04/14/2011

ISSUED DATE 04/14/2011

SCALE

SHEET 1 CONT ON -

DISTR. TO