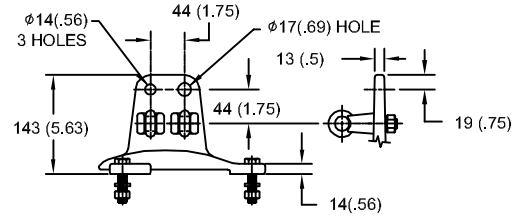


115kV MCOV

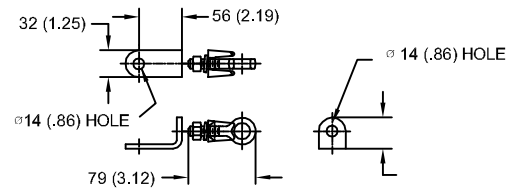
SIZE A	DWG NO 9L11ZTA144AS	SHT 1	REV
REV	DESCRIPTION	DATE	APPROVED

LINE TERMINAL DETAIL

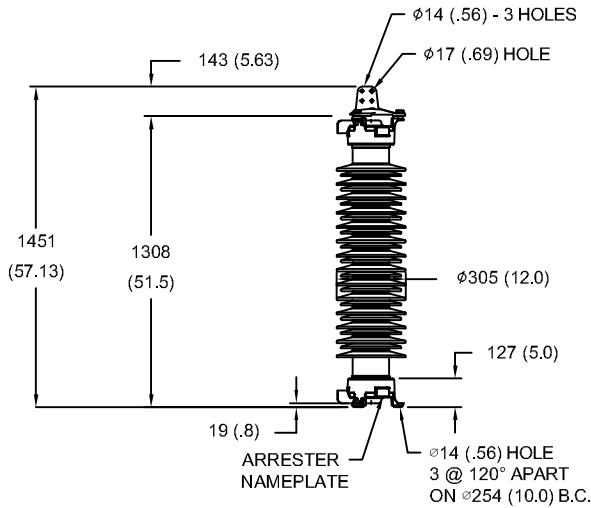


HDG 4-HOLE TERMINAL PAD
TWO HDG TERMINALS
SUITABLE FOR CU OR AL CONDUCTOR SIZE
φ 7 (.25) - φ 21 (.81) DIA
25 - 240 sq mm
AWG#4 - 500 MCM

GROUND TERMINAL DETAIL



HDG TERMINAL BRACKET
ONE HDG TERMINAL
SUITABLE FOR CU OR AL CONDUCTOR SIZE
φ 7 (.25) - φ 21 (.81) DIA
25 - 240 sq mm
AWG#4 - 500 MCM



ARRESTER NAMEPLATE
φ14 (.56) HOLE
3 @ 120° APART
ON φ254 (10.0) B.C.

CHARACTERISTICS

RATED VOLTAGE	144 kVrms
MCOV	115 kVrms
MASS	136kg (299lb)
CREEPAGE DISTANCE	3874 (152.5)
LIGHTNING IMP W/S	600 kV
SWITCHING IMP W/S	523 kV
POWER FREQ W/S	314 kVrms
TOV 1s	171 kVrms
TOV 10s	164 kVrms
COG ABOVE BASE	678 (26.7)
HOUSING	GREY PORCELAIN

CANTILEVER FORCE

MAXIMUM CONTINUOUS	4686 N (1053lbf)
ULTIMATE (UMS)	11715 N (2634lbf)

RECOMMENDED CLEARANCE (TO METAL PARTS)

PHASE TO GROUND	645 (25.4)
PHASE TO PHASE	743 (29.3)

- NOTES:
1. DIMENSIONS IN millimeters(inches) SUBJECT TO ±3% TOLERANCE
2. CLEARANCE AND INSULATION W/S VOLTAGE APPLY AT SEA LEVEL
3. ARRESTER SUITABLE FOR OPERATION AT ALTITUDES UP TO 3650m (12000ft)

DISCHARGE VOLTAGE (kV) FOR INDICATED IMPULSE TYPES AND CURRENT MAGNITUDES

FRONT OF WAVE	SWITCHING SURGE	8/20 LIGHTNING IMPULSE					
		1.5 kA	3 kA	5 kA	10 kA	20 kA	40 kA
10 kA	1 kA	296	308	318	334	357	393
363	283						



GE ENERGY
FORT EDWARD, N.Y., U.S.A.

SIZE

A

ANSI
STATION CLASS

ARRESTER
9L11ZTA144AS

DRAWN JBC DATE 04/14/2011

ISSUED DATE 04/14/2011

SCALE

SHEET 1 CONT ON -

DISTR. TO