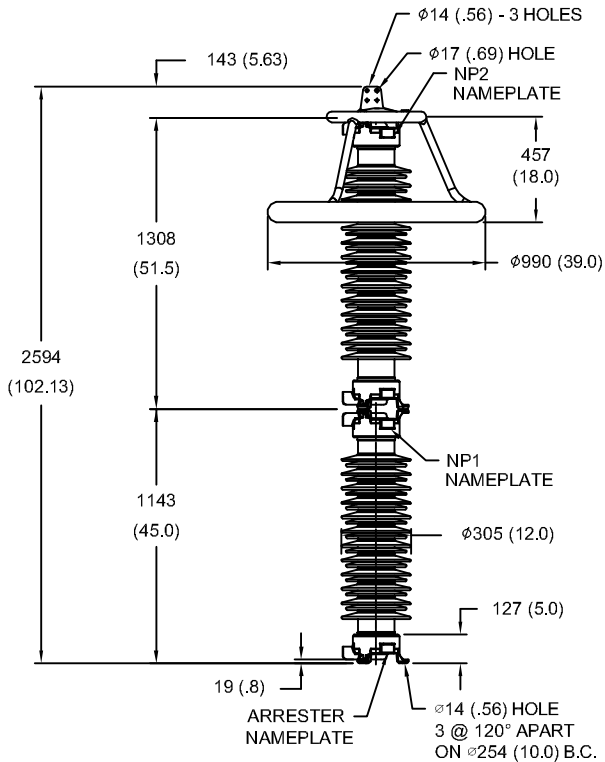
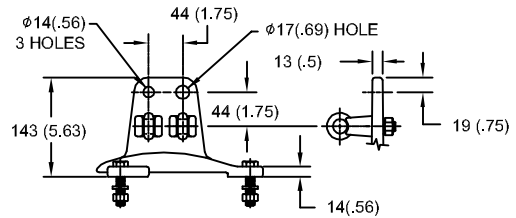


212kV MCOV

SIZE A	DWG NO 9L11ZTA264AS	SHT 1	REV
REV	DESCRIPTION	DATE	APPROVED

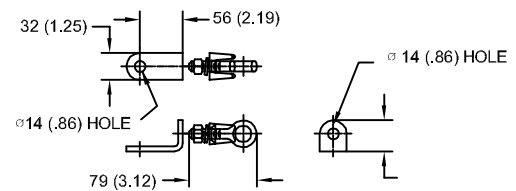


LINE TERMINAL DETAIL



HDG 4-HOLE TERMINAL PAD
 TWO HDG TERMINALS
 SUITABLE FOR CU OR AL CONDUCTOR SIZE
 $\phi 7 (.25)$ - $\phi 21 (.81)$ DIA
 25 - 240 sq mm
 AWG#4 - 500 MCM

GROUND TERMINAL DETAIL



HDG TERMINAL BRACKET
 ONE HDG TERMINAL
 SUITABLE FOR CU OR AL CONDUCTOR SIZE
 $\phi 7 (.25)$ - $\phi 21 (.81)$ DIA
 25 - 240 sq mm
 AWG#4 - 500 MCM

CHARACTERISTICS	
RATED VOLTAGE	264 kVrms
MCOV	212 kVrms
MASS	261kg (575lb)
CREEPAGE DISTANCE	7081 (278.8)
LIGHTNING IMP W/S	1004 kV
SWITCHING IMP W/S	839 kV
POWER FREQ W/S	503 kVrms
TOV 1s	316 kVrms
TOV 10s	302 kVrms
COG ABOVE BASE	1302 (51.3)
HOUSING	GREY PORCELAIN

CANTILEVER FORCE	
MAXIMUM CONTINUOUS	2621 N (589lbf)
ULTIMATE (UMS)	6553 N (1473lbf)

RECOMMENDED CLEARANCE (TO METAL PARTS)	
PHASE TO GROUND	1222 (48.1)
PHASE TO PHASE	1395 (54.9)

- NOTES:
 1. DIMENSIONS IN millimeters(inches) SUBJECT TO $\pm 3\%$ TOLERANCE
 2. CLEARANCE AND INSULATION W/S VOLTAGE APPLY AT SEA LEVEL
 3. ARRESTER SUITABLE FOR OPERATION AT ALTITUDES UP TO 2750m (9000ft)

DISCHARGE VOLTAGE (kV) FOR INDICATED IMPULSE TYPES AND CURRENT MAGNITUDES							
FRONT OF WAVE	SWITCHING SURGE	8/20 LIGHTNING IMPULSE					
		1.5 kA	3 kA	5 kA	10 kA	20 kA	40 kA
10 kA	2 kA	545	566	586	615	657	723
667	540						



GE ENERGY
 FORT EDWARD, N.Y., U.S.A.

SIZE

A

ANSI
 STATION CLASS

ARRESTER
9L11ZTA264AS

DRAWN JBC DATE 04/14/2011

ISSUED DATE 04/14/2011

SCALE

SHEET 1 CONT ON -

DISTR. TO