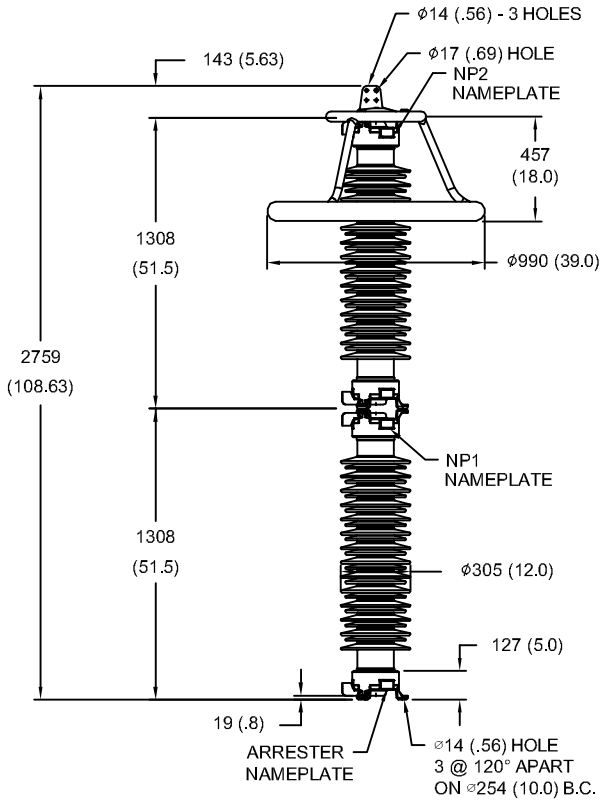
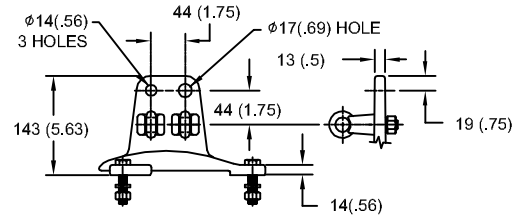


220kV MCOV

SIZE A	DWG NO 9L11ZTA276AS	SHT 1	REV
REV	DESCRIPTION	DATE	APPROVED

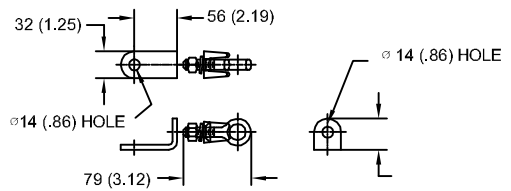


LINE TERMINAL DETAIL



HDG 4-HOLE TERMINAL PAD
TWO HDG TERMINALS
SUITABLE FOR CU OR AL CONDUCTOR SIZE
φ 7 (.25) - φ 21 (.81) DIA
25 - 240 sq mm
AWG#4 - 500 MCM

GROUND TERMINAL DETAIL



HDG TERMINAL BRACKET
ONE HDG TERMINAL
SUITABLE FOR CU OR AL CONDUCTOR SIZE
φ 7 (.25) - φ 21 (.81) DIA
25 - 240 sq mm
AWG#4 - 500 MCM

CHARACTERISTICS	
RATED VOLTAGE	276 kVrms
MCOV	220 kVrms
MASS	275kg (606lb)
CREEPAGE DISTANCE	7748 (305.0)
LIGHTNING IMP W/S	1084 kV
SWITCHING IMP W/S	895 kV
POWER FREQ W/S	537 kVrms
TOV 1s	328 kVrms
TOV 10s	313 kVrms
COG ABOVE BASE	1392 (54.8)
HOUSING	GREY PORCELAIN

CANTILEVER FORCE	
MAXIMUM CONTINUOUS	2464 N (554lbf)
ULTIMATE (UMS)	6161 N (1385lbf)

RECOMMENDED CLEARANCE (TO METAL PARTS)	
PHASE TO GROUND	1268 (49.9)
PHASE TO PHASE	1447 (57.0)

- NOTES:
1. DIMENSIONS IN millimeters(inches) SUBJECT TO ±3% TOLERANCE
2. CLEARANCE AND INSULATION W/S VOLTAGE APPLY AT SEA LEVEL
3. ARRESTER SUITABLE FOR OPERATION AT ALTITUDES UP TO 3250m (10700ft)

DISCHARGE VOLTAGE (kV) FOR INDICATED IMPULSE TYPES AND CURRENT MAGNITUDES							
FRONT OF WAVE	SWITCHING SURGE		8/20 LIGHTNING IMPULSE				
10 kA	2 kA	1.5 kA	3 kA	5 kA	10 kA	20 kA	40 kA
692	560	565	587	608	638	681	750

GE ENERGY FORT EDWARD, N.Y., U.S.A.	SIZE A	ANSI STATION CLASS	<h2>ARRESTER</h2> <h3>9L11ZTA276AS</h3>	DISTR. TO
	DRAWN JBC DATE 04/14/2011			
ISSUED DATE 04/14/2011				