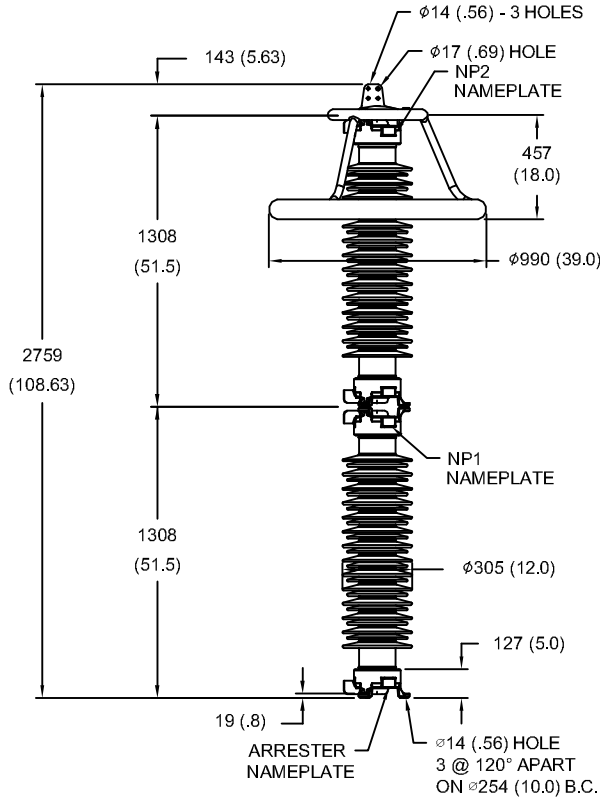
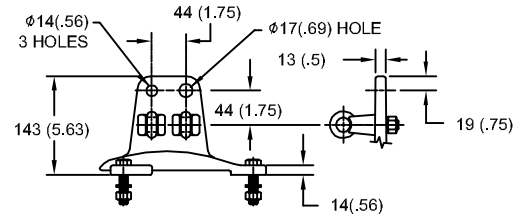


230kV MCOV

SIZE A	DWG NO 9L114ZTA288AS	SHT 1	REV
REV	DESCRIPTION	DATE	APPROVED

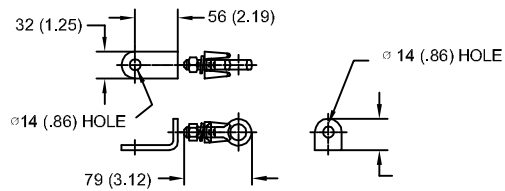


LINE TERMINAL DETAIL



HDG 4-HOLE TERMINAL PAD
TWO HDG TERMINALS
SUITABLE FOR CU OR AL CONDUCTOR SIZE
φ 7 (.25) - φ 21 (.81) DIA
25 - 240 sq mm
AWG#4 - 500 MCM

GROUND TERMINAL DETAIL



HDG TERMINAL BRACKET
ONE HDG TERMINAL
SUITABLE FOR CU OR AL CONDUCTOR SIZE
φ 7 (.25) - φ 21 (.81) DIA
25 - 240 sq mm
AWG#4 - 500 MCM

CHARACTERISTICS	
RATED VOLTAGE	288 kVrms
MCOV	230 kVrms
MASS	278kg (611lb)
CREEPAGE DISTANCE	7748 (305.0)
LIGHTNING IMP W/S	1084 kV
SWITCHING IMP W/S	895 kV
POWER FREQ W/S	537 kVrms
TOV 1s	343 kVrms
TOV 10s	327 kVrms
COG ABOVE BASE	1385 (54.5)
HOUSING	GREY PORCELAIN

CANTILEVER FORCE	
MAXIMUM CONTINUOUS	2464 N (554lbf)
ULTIMATE (UMS)	6161 N (1385lbf)

RECOMMENDED CLEARANCE (TO METAL PARTS)	
PHASE TO GROUND	1327 (52.3)
PHASE TO PHASE	1514 (59.6)

- NOTES:
1. DIMENSIONS IN millimeters(inches) SUBJECT TO ±3% TOLERANCE
2. CLEARANCE AND INSULATION W/S VOLTAGE APPLY AT SEA LEVEL
3. ARRESTER SUITABLE FOR OPERATION AT ALTITUDES UP TO 2700m (8900ft)

DISCHARGE VOLTAGE (kV) FOR INDICATED IMPULSE TYPES AND CURRENT MAGNITUDES							
FRONT OF WAVE	SWITCHING SURGE	8/20 LIGHTNING IMPULSE					
		1.5 kA	3 kA	5 kA	10 kA	20 kA	40 kA
10 kA	2 kA	591	614	635	667	712	784
724	585						

GE ENERGY FORT EDWARD, N.Y., U.S.A.	SIZE A	ANSI STATION CLASS	ARRESTER 9L11ZTA288AS	SHEET 1	CONT ON -
	DRAWN JBC				
ISSUED	DATE 04/14/2011	SCALE			

DISTR. TO