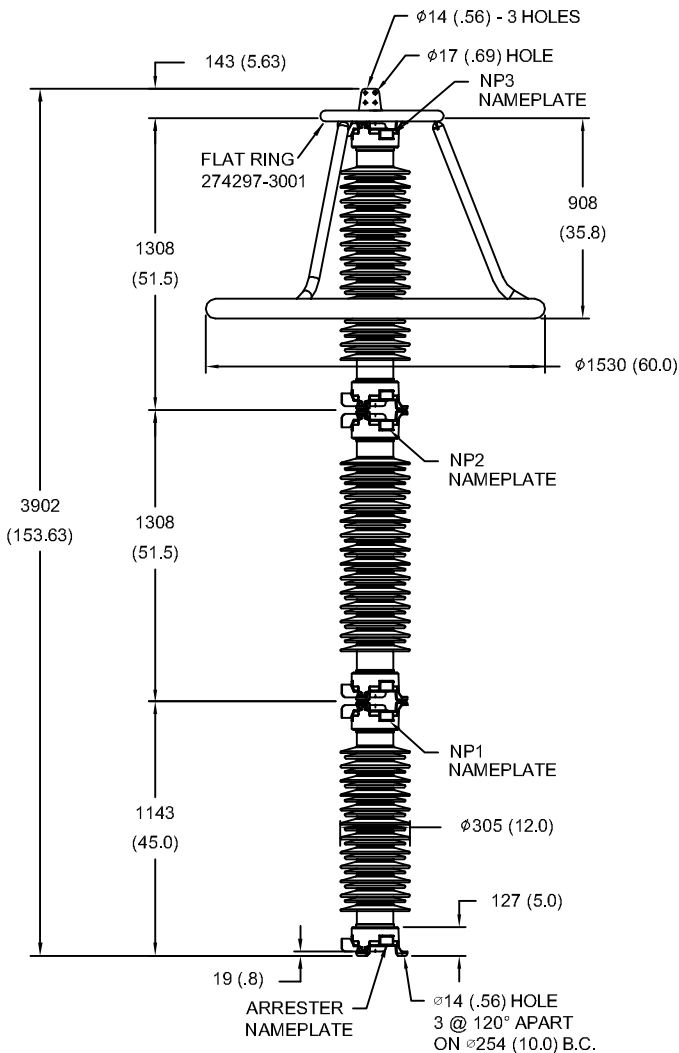


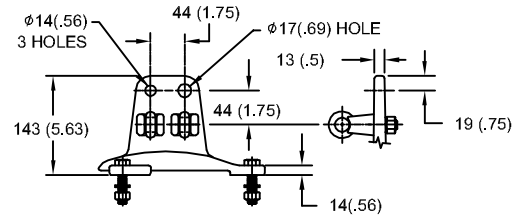
318kV MCOV

SIZE A	DWG NO 9L11ZTA396AS	SHT 1	REV
REV	DESCRIPTION	DATE	APPROVED



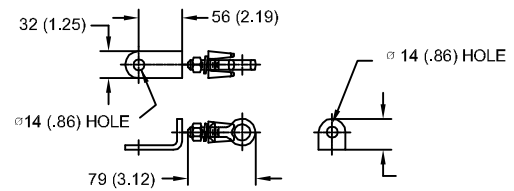
- NOTES:
 1. DIMENSIONS IN millimeters(inches) SUBJECT TO ±3% TOLERANCE
 2. CLEARANCE AND INSULATION W/S VOLTAGE APPLY AT SEA LEVEL
 3. ARRESTER SUITABLE FOR OPERATION AT ALTITUDES UP TO 2100m (6900ft)

LINE TERMINAL DETAIL



HDG 4-HOLE TERMINAL PAD
 TWO HDG TERMINALS
 SUITABLE FOR CU OR AL CONDUCTOR SIZE
 φ 7 (.25) - φ 21 (.81) DIA
 25 - 240 sq mm
 AWG#4 - 500 MCM

GROUND TERMINAL DETAIL



HDG TERMINAL BRACKET
 ONE HDG TERMINAL
 SUITABLE FOR CU OR AL CONDUCTOR SIZE
 φ 7 (.25) - φ 21 (.81) DIA
 25 - 240 sq mm
 AWG#4 - 500 MCM

CHARACTERISTICS	
RATED VOLTAGE	396 kVrms
MCOV	318 kVrms
MASS	404kg (890lb)
CREEPAGE DISTANCE	10955 (431.3)
LIGHTNING IMP W/S	1452 kV
SWITCHING IMP W/S	1127 kV
POWER FREQ W/S	676 kVrms
TOV 1s	474 kVrms
TOV 10s	453 kVrms
COG ABOVE BASE	2031 (80.0)
HOUSING	GREY PORCELAIN

CANTILEVER FORCE	
MAXIMUM CONTINUOUS	1743 N (392lbf)
ULTIMATE (UMS)	4357 N (979lbf)

RECOMMENDED CLEARANCE (TO METAL PARTS)	
PHASE TO GROUND	1850 (72.8)
PHASE TO PHASE	2105 (82.9)

DISCHARGE VOLTAGE (kV) FOR INDICATED IMPULSE TYPES AND CURRENT MAGNITUDES							
FRONT OF WAVE	SWITCHING SURGE	8/20 LIGHTNING IMPULSE					
		1.5 kA	3 kA	5 kA	10 kA	20 kA	40 kA
15 kA	2 kA	816	849	878	922	984	1083
1053	809						



GE ENERGY
 FORT EDWARD, N.Y., U.S.A.

SIZE

A

ANSI
 STATION CLASS

ARRESTER
 9L11ZTA396AS

DRAWN JBC DATE 04/14/2011

ISSUED DATE 04/14/2011

SCALE

SHEET 1 CONT ON -

DISTR. TO