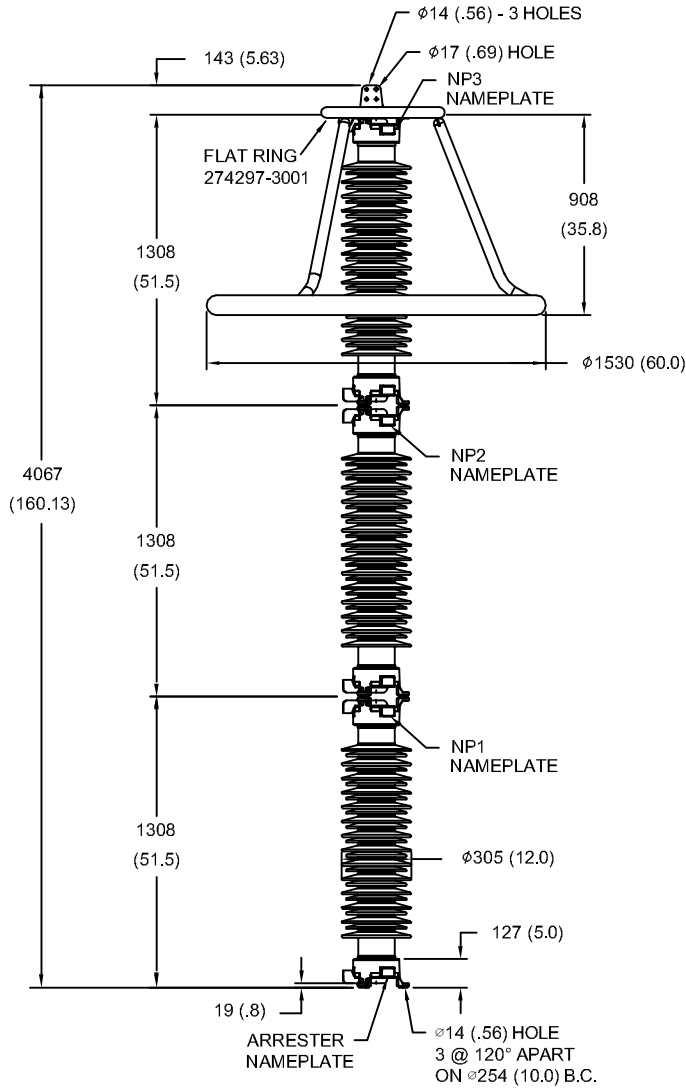
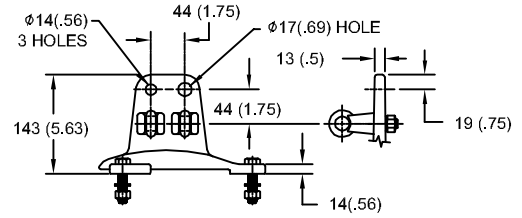


335kV MCOV

SIZE A	DWG NO 9L11ZTA420AS	SHT 1	REV
REV	DESCRIPTION	DATE	APPROVED

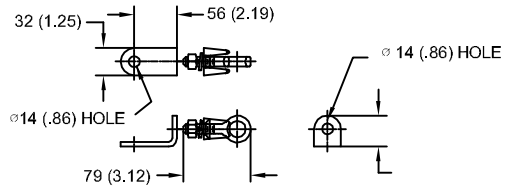


LINE TERMINAL DETAIL



HDG 4-HOLE TERMINAL PAD
TWO HDG TERMINALS
SUITABLE FOR CU OR AL CONDUCTOR SIZE
φ 7 (.25) - φ 21 (.81) DIA
25 - 240 sq mm
AWG#4 - 500 MCM

GROUND TERMINAL DETAIL



HDG TERMINAL BRACKET
ONE HDG TERMINAL
SUITABLE FOR CU OR AL CONDUCTOR SIZE
φ 7 (.25) - φ 21 (.81) DIA
25 - 240 sq mm
AWG#4 - 500 MCM

CHARACTERISTICS	
RATED VOLTAGE	420 kVrms
MCOV	335 kVrms
MASS	421kg (927lb)
CREEPAGE DISTANCE	11622 (457.6)
LIGHTNING IMP W/S	1532 kV
SWITCHING IMP W/S	1172 kV
POWER FREQ W/S	703 kVrms
TOV 1s	499 kVrms
TOV 10s	477 kVrms
COG ABOVE BASE	2109 (83.0)
HOUSING	GREY PORCELAIN

CANTILEVER FORCE	
MAXIMUM CONTINUOUS	1672 N (376lbf)
ULTIMATE (UMS)	4180 N (940lbf)

RECOMMENDED CLEARANCE (TO METAL PARTS)	
PHASE TO GROUND	1951 (76.8)
PHASE TO PHASE	2220 (87.4)

- NOTES:
1. DIMENSIONS IN millimeters(inches) SUBJECT TO ±3% TOLERANCE
2. CLEARANCE AND INSULATION W/S VOLTAGE APPLY AT SEA LEVEL
3. ARRESTER SUITABLE FOR OPERATION AT ALTITUDES UP TO 1950m (6400ft)

DISCHARGE VOLTAGE (kV) FOR INDICATED IMPULSE TYPES AND CURRENT MAGNITUDES							
FRONT OF WAVE	SWITCHING SURGE	8/20 LIGHTNING IMPULSE					
		1.5 kA	3 kA	5 kA	10 kA	20 kA	40 kA
15 kA	2 kA	860	894	925	971	1037	1140
1109	852						



GE ENERGY
FORT EDWARD, N.Y., U.S.A.

SIZE
A

ANSI
STATION CLASS

ARRESTER
9L11ZTA420AS

DRAWN JBC DATE 04/14/2011

ISSUED DATE 04/14/2011

SCALE

SHEET 1 CONT ON -

DISTR. TO