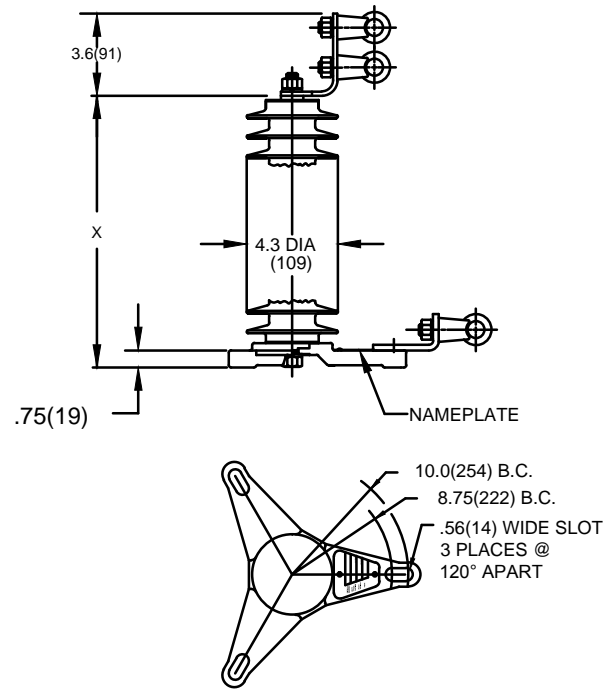
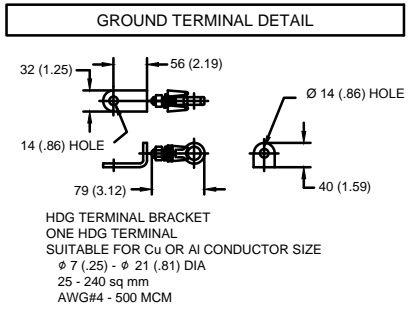
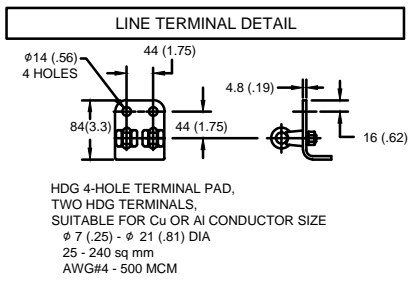


SIZE A	DWG NO 9L12PPAXXXAS/S_72kV	SHT 1	REV
REV	DESCRIPTION	DATE	APPROVED

GE Tranquell® XX kV MCOV



4Hole NEMA	Duty Cycle (kV) RMS	MCOV (kV) RMS	"X" Dimensions		Leakage		Phase to Phase		Phase to Ground		Weight	
			IN	MM	IN	MM	IN	MM	IN	MM	LBS	KG
9L12PPA003S	3	2.55	6.8	172.7	15.4	391.2	4.4	111.8	3.3	83.8	6.2	2.8
9L12PPA006S	6	5.1	6.8	172.7	15.4	391.2	4.6	116.8	3.2	81.3	6.2	2.8
9L12PPA009S	9	7.65	6.8	172.7	15.4	391.2	4.7	119.4	3.3	83.8	6.2	2.8
9L12PPA010S	10	8.4	6.8	172.7	15.4	391.2	4.9	124.5	3.5	88.9	6.2	2.8
9L12PPA012AS	12	10.2	6.8	172.7	15.4	391.2	4.9	124.5	3.5	88.9	6.2	2.8
9L12PPA015S	15	12.7	12.2	309.9	30.8	782.3	6.2	157.5	4.8	121.9	10.0	4.5
9L12PPA018S	18	15.3	12.2	309.9	30.8	782.3	6.6	167.6	5.2	132.1	10.0	4.5
9L12PPA021S	21	17	12.2	309.9	30.8	782.3	7.6	193.0	6.2	157.5	10.0	4.5
9L12PPA024AS	24	19.5	12.2	309.9	30.8	782.3	7.6	193.0	6.2	157.5	10.0	4.5
9L12PPA027S	27	22	17.6	447.0	46.2	1173.5	9.6	243.8	8.2	208.3	13.5	6.1
9L12PPA030S	30	24.4	17.6	447.0	46.2	1173.5	9.8	248.9	8.4	213.4	13.5	6.1
9L12PPA036AS	36	29	17.6	447.0	46.2	1173.5	9.8	248.9	8.4	213.4	13.5	6.1
9L12PPA039S	39	31.5	23.0	584.2	61.6	1564.6	12.8	325.1	11.4	289.6	17.0	7.7
9L12PPA045AS	45	36.5	23.0	584.2	61.6	1564.6	12.8	325.1	11.4	289.6	17.0	7.7
9L12PPA048AS	48	39	23.0	584.2	61.6	1564.6	12.8	325.1	11.4	289.6	17.0	7.7
9L12PPA054AS	54	42	28.4	721.4	77.0	1955.8	15.8	401.3	14.4	365.8	19.6	8.9
9L12PPA060AS	60	48	28.4	721.4	77.0	1955.8	15.8	401.3	14.4	365.8	19.6	8.9
9L12PPA072AS	72	57	33.8	858.5	92.4	2347.0	19.8	502.9	18.4	467.4	23.1	10.5

GE ENERGY
FORT EDWARD, N.Y., U.S.A.

DRAWN: DCS DATE: 05/27/2015

ISSUED: DATE: 05/27/2015

SIZE: **A**

INTERMEDIATE CLASS ARRESTER

SCALE:

ARRESTER

9L12PPAXXXAS/S_72kV

SHEET 1 CONT ON -

DISTR. TO