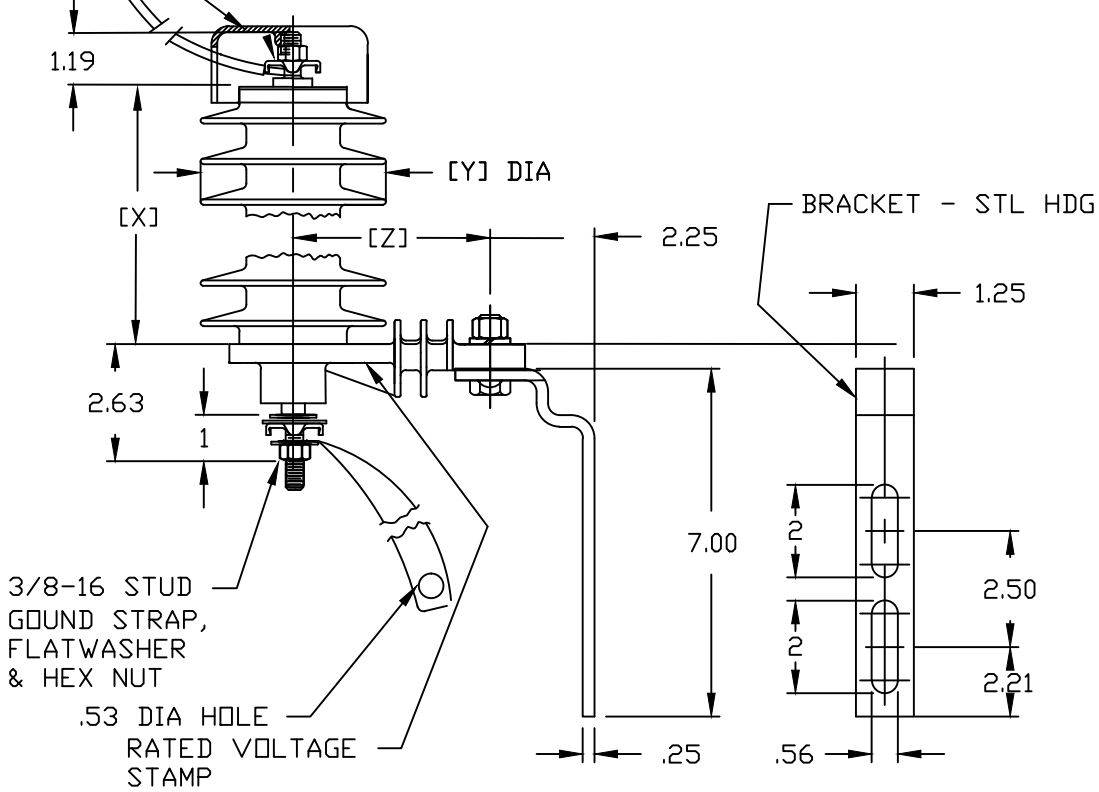


SIZE	DWG NO	SHT	REV
	9L20AFA4**/AXX4**/AFX4** BHS		
REV	DESCRIPTION	DATE	APPROVED
			D SEYMOUR

NOTES:

1. DIMENSIONS SUBJECT TO +/- 3% TOLERANCE
2. 9L20AFA4\*\*BHS HAS 18" LEAD AND GROUND STRAP (12kV TO 36kV RATED)
3. 9L20AFX4\*\*BHS HAS GROUND STRAP ONLY (12kV TO 36kV RATED)
3. 9L20AXX4\*\*BHS HAS NO LEAD OR GROUND STRAP (3kV TO 36kV RATED)

3/8-16 STUD  
 HEX NUT, WIRE  
 CLAMP & WIRE  
 LEAD - 18 IN LG for 9L20AXA4\*\*AHS series



Voltage kV rms	MCOV kV rms	Creep		Strike		"X" Height		"Y" Dimension		"Z" Dimension		Mounting Clearance				Weight			
		in	mm	in	mm	in	mm	in	mm	in	mm	in	mm	in	mm	lbs	kgs	lbs	kgs
3	2.55	8.5	216	3.8	97	3	76	4.1	104	6.8	172	5	127	3	76	2.9	1.3	5.4	2.5
6	5.1	11.3	287	4.6	117	3.8	96	4.1	104	6.8	172	5.4	137	3.4	86	3.3	1.5	5.8	2.6
9	7.65	14.4	366	5.7	145	4.9	124	4.1	104	6.8	172	6	152	4	102	3.8	1.7	6.3	2.9
10	8.4	14.4	366	5.7	145	4.9	124	4.1	104	7.56	192	6.2	157	4.2	107	3.8	1.7	6.3	2.9
12	10.2	17	432	6.6	168	5.4	137	4.1	104	7.56	192	7.5	191	5.5	140	4.3	1.9	6.8	3.1
15	12.7	25.2	640	8.8	223	7.8	198	4.1	104	7.56	192	8.5	216	6.5	165	5.6	2.5	8.1	3.7
18	15.3	25.2	640	8.8	223	7.8	198	4.1	104	7.56	192	9.5	241	7.5	191	5.6	2.5	8.1	3.7
21	17	28.1	714	9.7	246	8.6	218	4.1	104	8.56	217	10	254	8	203	6.2	2.8	8.7	4
24	19.5	36.5	927	12.4	315	11.5	292	4.1	104	8.56	217	12	305	10	254	8.3	3.8	10.8	4.9
27	22	39.6	1006	13.4	340	12.6	320	4.1	104	8.56	217	13	330	11	279	8.7	4	11.3	5.1
30	24.4	42.2	1072	14	356	13.1	332	4.1	104	8.56	217	14	356	12	305	9.2	4.2	11.7	5.3
36	29	50.4	1280	16.2	411	15.5	393	4.1	104	8.56	217	16.5	419	14.5	368	10.3	4.7	12.8	5.8

<b>GE ENERGY</b> FORT EDWARD, N.Y., U.S.A.		SIZE <b>A</b>	DISTRIBUTION CLASS	<b>ARRESTER</b> 9L20AFA4**/AXX4**/AFX4**BHS				
DRAWN	D SEYMOUR	DATE			12/28/2015			
ISSUED		DATE		SCALE		SHEET	CONT ON	-

DISTR. TO