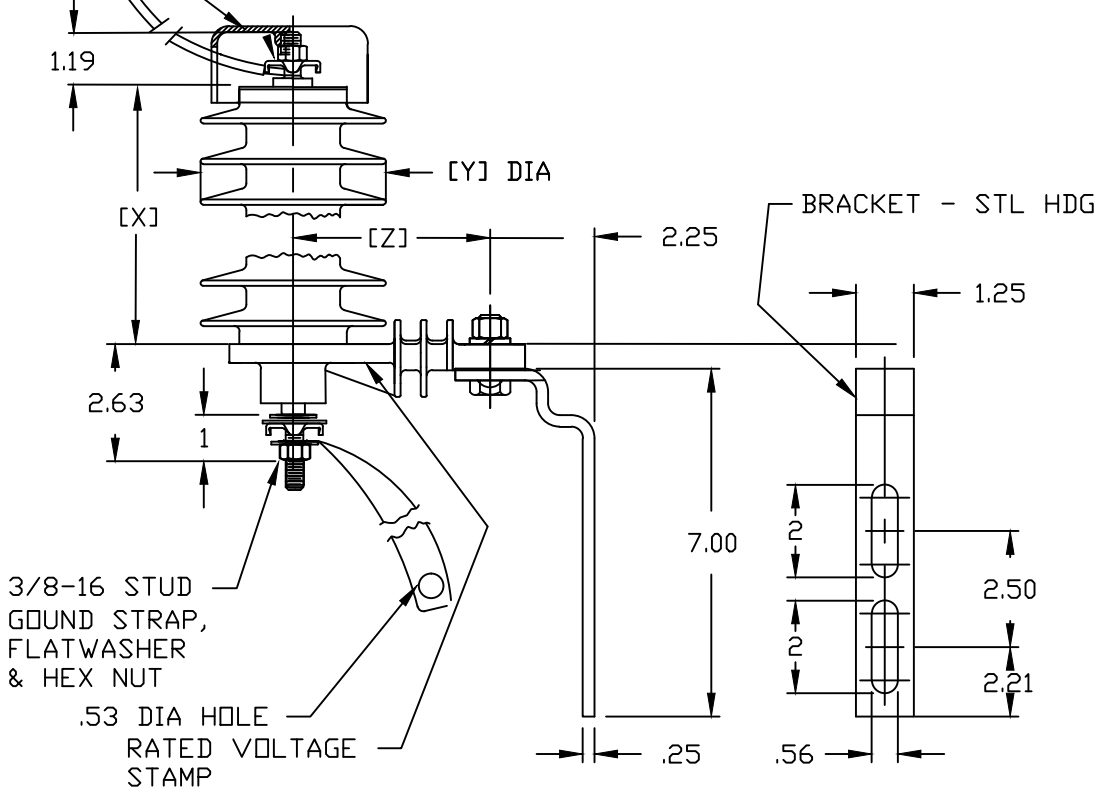


SIZE	DWG NO 9L20AHA4**/AHX4** BHS	SHT	REV
REV	DESCRIPTION	DATE	APPROVED
			D SEYMOUR

NOTES:

1. DIMENSIONS SUBJECT TO +/- 3% TOLERANCE
2. 9L20AHA4\*\*BHS HAS 18" LEAD AND GROUND STRAP (3kV TO 10kV RATED)
3. 9L20AHX4\*\*BHS HAS GROUND STRAP ONLY (3kV TO 10kV RATED)

3/8-16 STUD  
HEX NUT, WIRE  
CLAMP & WIRE  
LEAD - 18 IN LG for 9L20AXA4\*\*AHS series



Voltage kV rms	MCOV kV rms	Creep		Strike		"X" Height		"Y" Dimension		"Z" Dimension		Mounting Clearance				Weight			
		in	mm	in	mm	in	mm	in	mm	in	mm	in	mm	in	mm	lbs	kgs	lbs	kgs
3	2.55	8.5	216	3.8	97	3	76	4.1	104	6.8	172	5	127	3	76	2.9	1.3	5.4	2.5
6	5.1	11.3	287	4.6	117	3.8	96	4.1	104	6.8	172	5.4	137	3.4	86	3.3	1.5	5.8	2.6
9	7.65	14.4	366	5.7	145	4.9	124	4.1	104	6.8	172	6	152	4	102	3.8	1.7	6.3	2.9
10	8.4	14.4	366	5.7	145	4.9	124	4.1	104	7.56	192	6.2	157	4.2	107	3.8	1.7	6.3	2.9
12	10.2	17	432	6.6	168	5.4	137	4.1	104	7.56	192	7.5	191	5.5	140	4.3	1.9	6.8	3.1
15	12.7	25.2	640	8.8	223	7.8	198	4.1	104	7.56	192	8.5	216	6.5	165	5.6	2.5	8.1	3.7
18	15.3	25.2	640	8.8	223	7.8	198	4.1	104	7.56	192	9.5	241	7.5	191	5.6	2.5	8.1	3.7
21	17	28.1	714	9.7	246	8.6	218	4.1	104	8.56	217	10	254	8	203	6.2	2.8	8.7	4
24	19.5	36.5	927	12.4	315	11.5	292	4.1	104	8.56	217	12	305	10	254	8.3	3.8	10.8	4.9
27	22	39.6	1006	13.4	340	12.6	320	4.1	104	8.56	217	13	330	11	279	8.7	4	11.3	5.1
30	24.4	42.2	1072	14	356	13.1	332	4.1	104	8.56	217	14	356	12	305	9.2	4.2	11.7	5.3
36	29	50.4	1280	16.2	411	15.5	393	4.1	104	8.56	217	16.5	419	14.5	368	10.3	4.7	12.8	5.8

<b>GE ENERGY</b> FORT EDWARD, N.Y., U.S.A.	SIZE <b>A</b>	DISTRIBUTION CLASS	ARRESTER 9L20AHA4**/AHX4**BHS
	DRAWN D SEYMOUR		
ISSUED	DATE	SCALE	SHEET CONT ON -

DISTR. TO