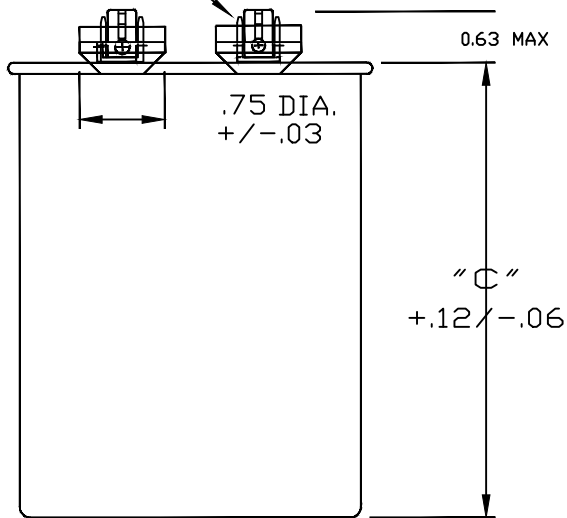


(2) .025 x 0.31 blades + 1 fork terminal



Case Style	a	b
A	2.16	1.31
B	2.69	1.56
C	2.91	1.91
D	3.66	1.97

Capacitance (uF)	Catalog #	Case Style	Height c (in)
1500 Volts Peak			
1	A26F7500S	A	2.12
2	A26F7501S	A	3.12
4	A26F7502S	C	3.12
5	A26F7503S	C	3.88
6	A26F7504S	C	4.25
8	A26F7505S	C	5.25
10	A26F7506S	D	5.25
2500 Volts Peak			
0.1	A26F7515S	A	2.12
0.25	A26F7516S	A	2.12
0.5	A26F7517S	A	2.12
1	A26F7518S	A	3.12
2	A26F7519S	A	4.25
4	A26F7520S	C	4.25

Prepared by:



CAPACITOR AND POWER
PROTECTION OPERATION
FORT EDWARD NY 12828

SIZE

A

OUTLINE
A26F75XX

DRAWN

DATE

12/14/2015

SCALE

SHEET

DISTR TO