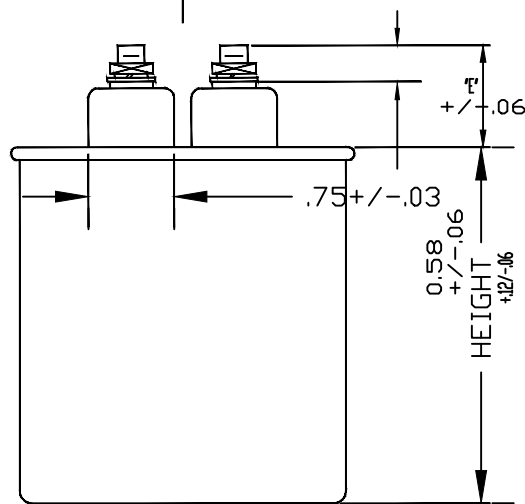
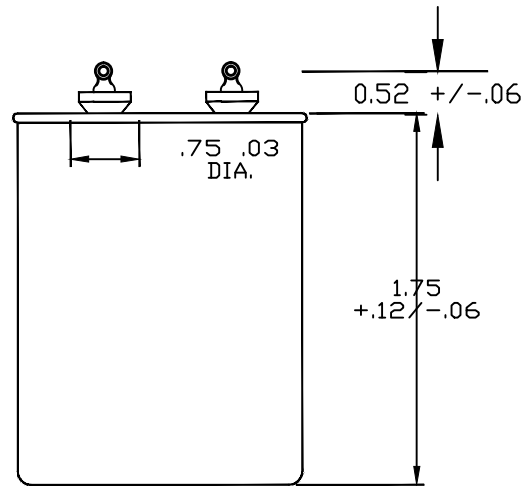
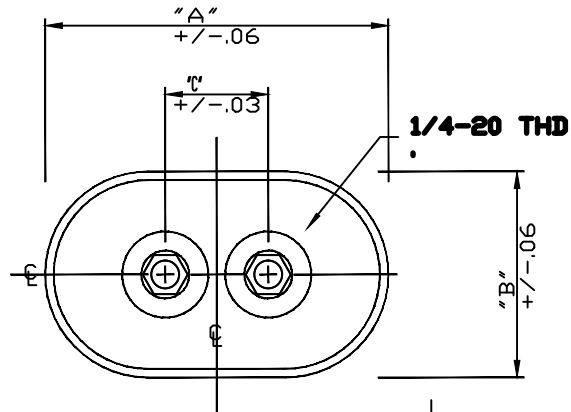
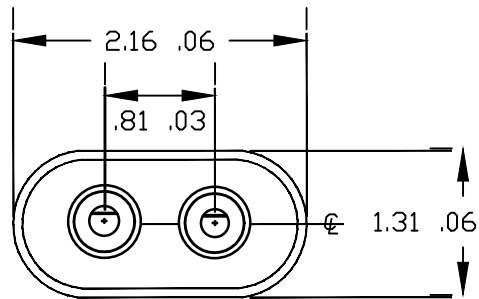



SIZE A	DWG NO. A28FXXXXS	SH 1	REV
REV			



CATALOG NUMBER	VOLTS PK	uF	CASE STYLE	CASE HGT (in)	TERMINAL TYPE
A28F5502S	1000	0.5	A	2.12	Solder Eyelet
A28F5503S	1000	1	A	2.12	Solder Eyelet
A28F5504S	1000	2	A	2.88	Solder Eyelet
A28F5600X	2000	0.05	A	2.12	Solder Eyelet
A28F5601X	2000	0.1	A	2.12	Solder Eyelet
A28F5615X	2000	0.1	A	2.12	1/4-20 THD
A28F5602X	2000	0.25	A	2.12	Solder Eyelet
A28F5605X	2000	0.25	A	2.12	1/4-20 THD
A28F5603X	2000	0.5	A	2.88	Solder Eyelet
A28F5606X	2000	0.5	A	2.88	1/4-20 THD
A28F5604X	2000	1	A	4.5	Solder Eyelet
A28F5607X	2000	1	A	4.5	1/4-20 THD
A28F5688X	2000	2	C*	4.25	Solder Eyelet
A28F5608X	2000	2	C*	4.25	1/4-20 THD

CASE STYLE	DIM "A"	DIM "B"	DIM "C"	DIM "E"
A	2.16	1.31	0.81	1.18
C	2.91	1.91	1.38	1.12

Note: A28F5608S has a terminal to terminal Dimension of 1.38" not .81"

 CAPACITOR & POWER PROTECTION FORT EDWARD, N.Y., U.S.A.	SIZE A	1 1/4" OVAL	OUTLINE A28FXXXXS	DISTR TO	
	DRAWN D SEYMOUR 12/07/2015				
	ISSUED	SCALE			SHEET 1