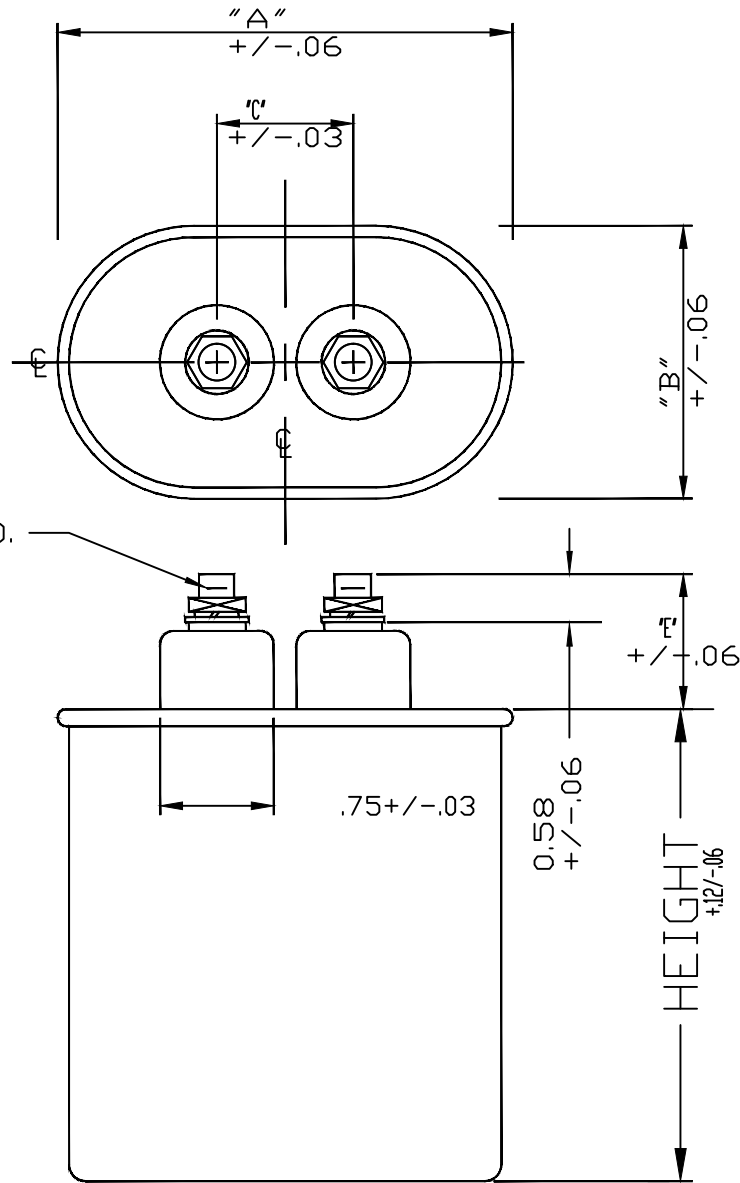



SIZE A	DWG NO. A97FOVAL	SH 1	REV
REV			



CATALOG NUMBER	VOLTS PK	uF	CASE STYLE	CASE HGT (in)	TERMINAL TYPE
A97F8670S	600	2	A	2.38	1/4-20 THD
A97F8671S	600	5	A	4.5	1/4-20 THD
A97F8672S	600	10	C	4.25	1/4-20 THD
A97F8673S	600	20	D	5.25	1/4-20 THD
A97F8674S	600	30	D	7.25	1/4-20 THD
A97F8677S	800	1	A	2.62	1/4-20 THD
A97F8678S	800	2	A	3.5	1/4-20 THD
A97F8679S	800	5	C	3.88	1/4-20 THD
A97F8680S	800	10	C	5.75	1/4-20 THD
A97F8614S	1000	2	A	4.75	1/4-20 THD
A97F8615S	1000	3	C	3.88	1/4-20 THD
A97F8616S	1000	5	C	4.75	1/4-20 THD
A97F8618S	1000	10	D	6.25	1/4-20 THD
A97F8620S	1500	1	A	3.88	1/4-20 THD
A97F8621S	1500	2	C	3.88	1/4-20 THD
A97F8622S	1500	3	C	4.5	1/4-20 THD
A97F8623S	1500	5	C	6.25	1/4-20 THD

CASE STYLE	DIM "A"	DIM "B"	DIM "C"	DIM "E"
A	2.16	1.31	0.81	1.18
C	2.91	1.91	1.38	1.12
D	3.66	2.97	1.38	1.12

 CAPACITOR & POWER PROTECTION FORT EDWARD, N.Y., U.S.A.	SIZE <b>A</b>	FSCM NO OVAL	OUTLINE A97FOVAL	DISTR TO
	DRAWN D SEYMOUR 12/03/2015	SCALE		
ISSUED				