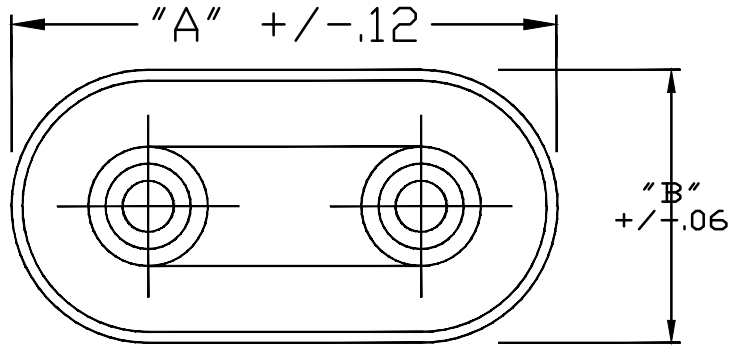
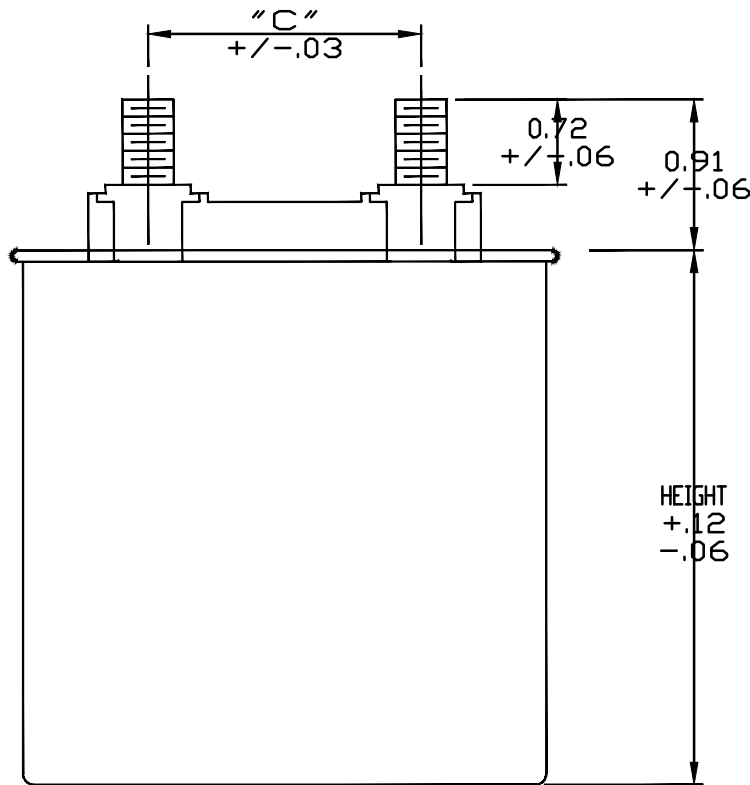



SIZE <b>A</b>	DWG NO. A97F_100A_OVAL	SH 2	REV
REV			



CATALOG NUMBER	VOLTS PK	uF	CASE STYLE	CASE HGT (in)	TERMINAL TYPE
A97F8617S	1000	5	C*	5.25	3/8-16
A97F8619S	1000	10	D*	6.75	3/8-16
A97F8624S	1500	5	C*	6.75	3/8-16



CASE STYLE	DIM "A"	DIM "B"	DIM "C"
C*	2.91	1.91	1.25
D*	3.66	2.97	1.25

 CAPACITOR & POWER PROTECTION FORT EDWARD, N.Y., U.S.A.	SIZE <b>A</b>	FSCM NO OVAL	OUTLINE A97F_100A_OVAL	DISTR TO
	DRAWN D SEYMOUR 12/03/2015	SCALE		
ISSUED				