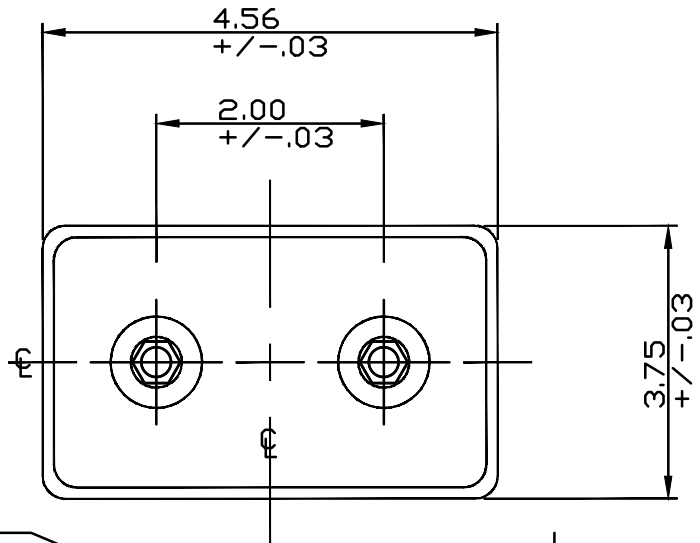
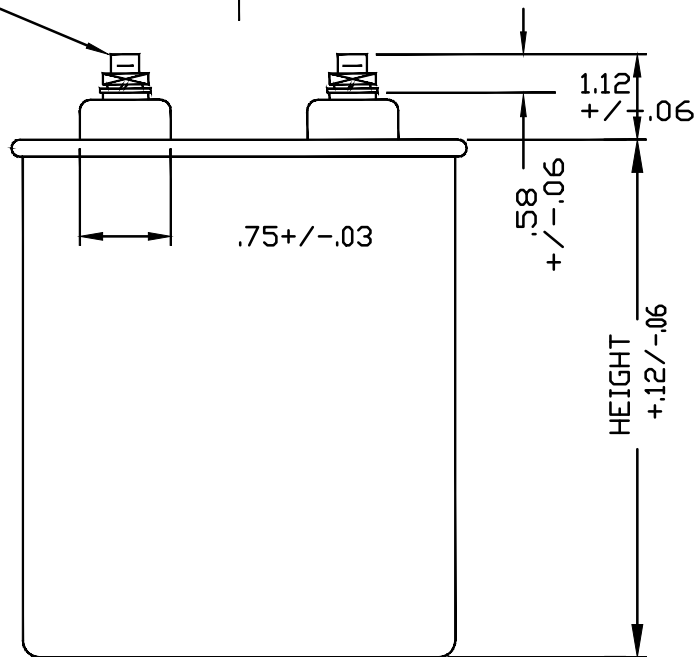



SIZE A	DWG NO. A97F_LR	SH 2	REV
REV			



1/4-20 THD



CATALOG NUMBER	VOLTS PK	μF	CASE STYLE	CASE HGT (in)	TERMINAL TYPE
A97F8675S	600	40	G	5.18	1/4-20 THD
A97F8676S	600	50	G	6.25	1/4-20 THD
A97F8681S	800	20	G	4.62	1/4-20 THD
A97F8682S	800	25	G	5.62	1/4-20 THD
A97F8683S	800	30	G	6.25	1/4-20 THD
A97F8625S	1500	10	G	5.18	1/4-20 THD

 <p>CAPACITOR & POWER PROTECTION FORT EDWARD, N.Y., U.S.A.</p>	SIZE A	FSCM NO	<p>OUTLINE A97F_LR</p>	DISTR TO
	DRAWN D SEYMOUR 12/03/2015 ISSUED	SCALE		