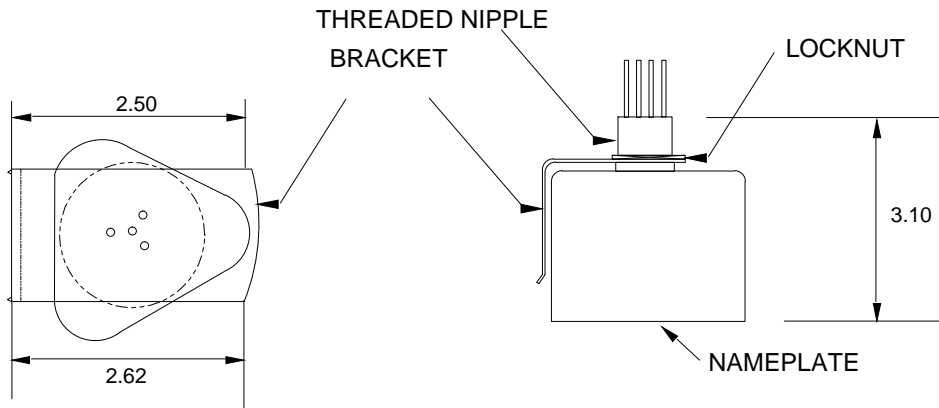
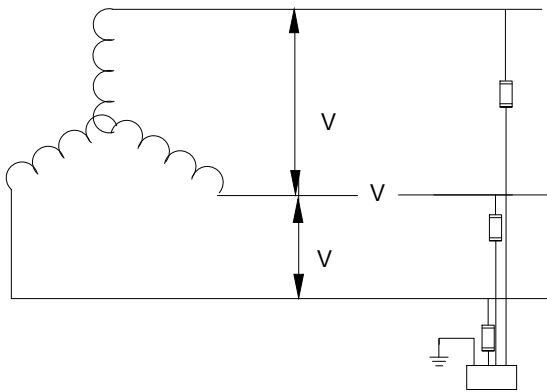


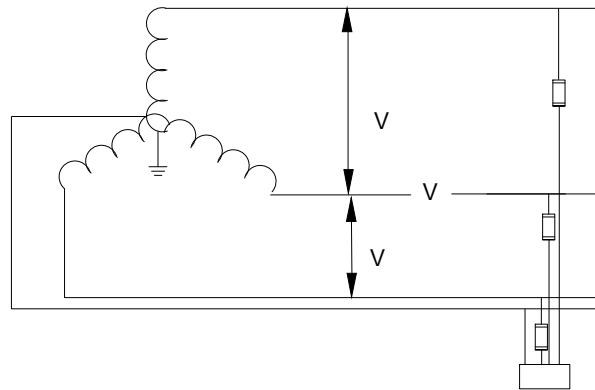
SIZE A	DWG NO 9L15GCC001	SHT 1	REV
REV	DESCRIPTION	DATE	APPROVED



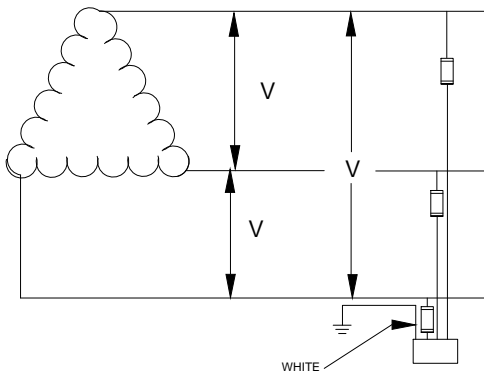
THREE PHASE - WYE UNGROUNDED
VOLTAGE - 240, 480, TO 650 MAX



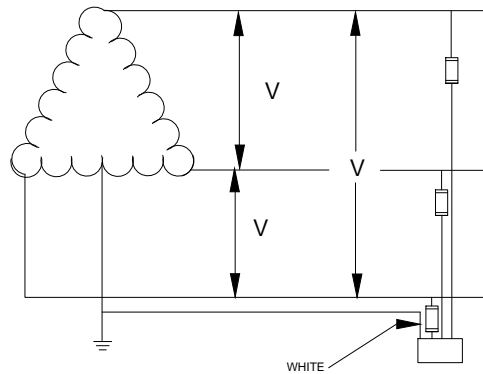
THREE PHASE - WYE
4 WIRE GROUNDED NEUTRAL
VOLTAGE - 240, 480, TO 1125 MAX



THREE PHASE - DELTA
UNGROUND
VOLTAGE - 240, 480, TO 650 MAX



THREE PHASE - DELTA
ONE PHASE CENTER TAP, UNGROUNDED
VOLTAGE - 240, 480, TO 650 MAX



GE ENERGY
FORT EDWARD, N.Y., U.S.A.

SIZE
A

9L15GCC001
SURGE PROTECTIVE DEVICE

DRAWN D SEYMOUR DATE 3/11/2016

ISSUED DATE 3/11/2016

SCALE

SHEET 1 CONT ON -

DISTR. TO