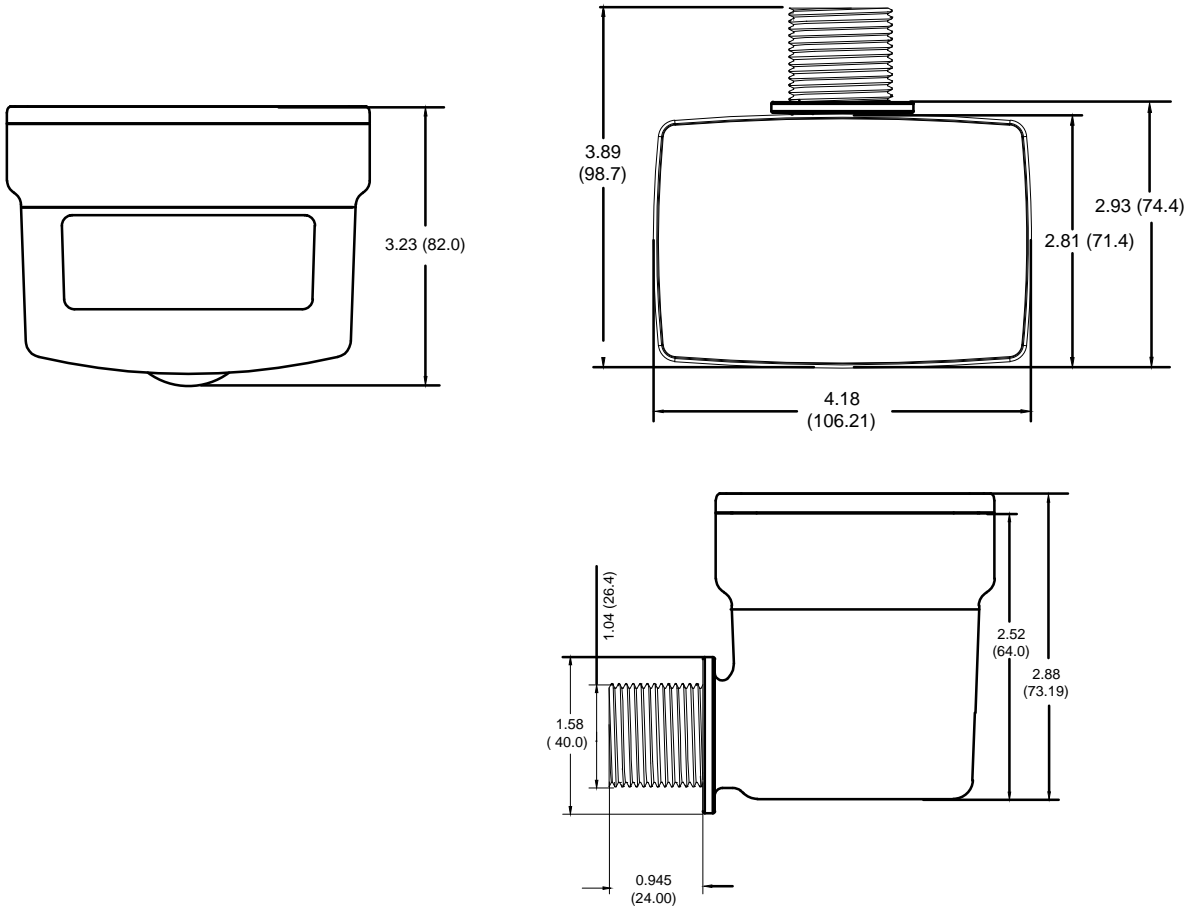
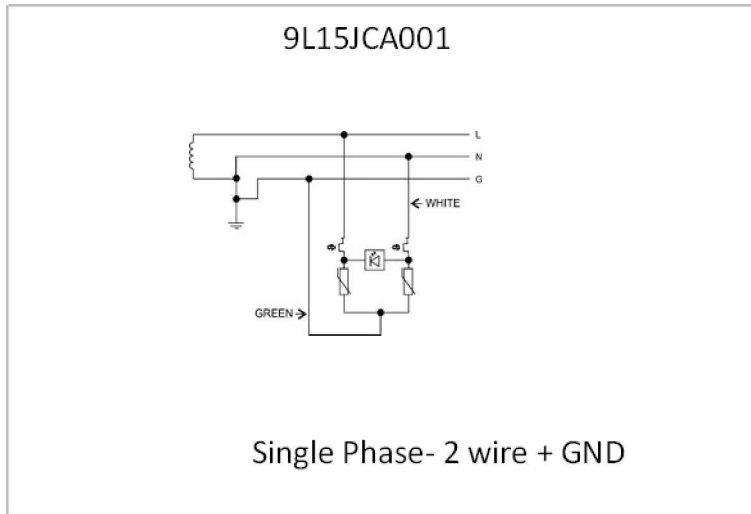


SIZE A	DWG NO 9L15JCA001	SHT 1	REV
REV	DESCRIPTION	DATE	APPROVED



NOMINAL VOLTAGE	SYSTEM OPTIONS	MODE of PROTECTION	POLES
240	Single Phase, 2 wire + GND	L-G, L-N	1



GE ENERGY FORT EDWARD, N.Y., U.S.A.		SIZE A	9L15JCA001 SURGE PROTECTIVE DEVICE		DISTR. TO
DRAWN	DCS	DATE	7/2/2015	SHEET 1 CONT ON -	
ISSUED		DATE	7/2/2015		