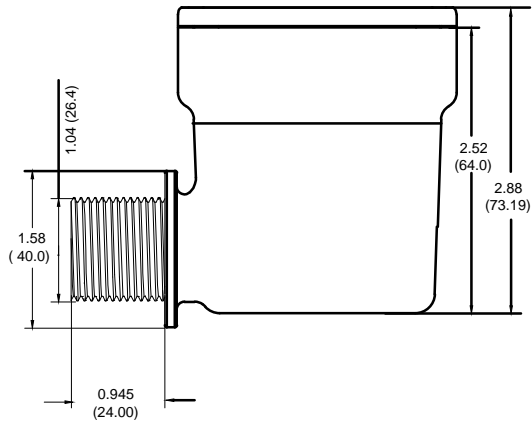
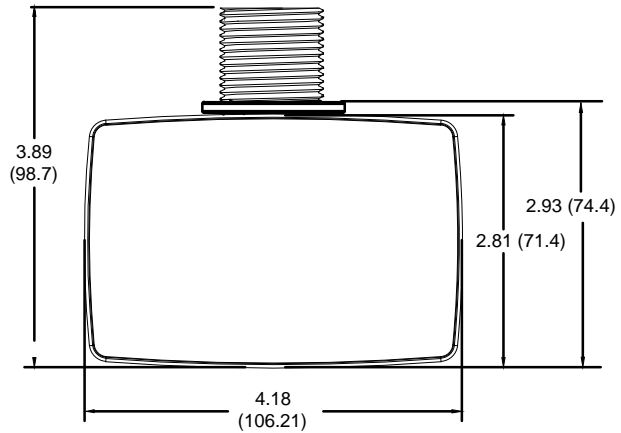
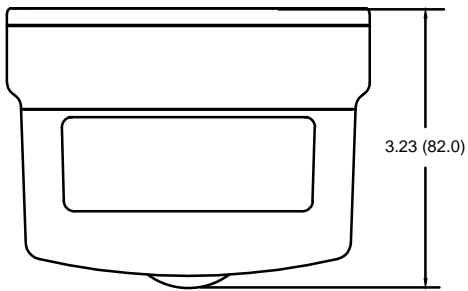
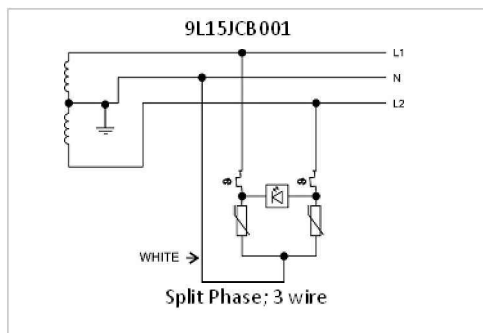


SIZE A	DWG NO 9L15JCB001	SHT 1	REV
REV	DESCRIPTION	DATE	APPROVED



NOMINAL VOLTAGE	SYSTEM OPTIONS	MODE of PROTECTION	POLES
120/240	Split Phase, 3 wire	L1-N, L2-N	2



GE ENERGY
FORT EDWARD, N.Y., U.S.A.

SIZE
A

9L15JCB001

SURGE PROTECTIVE DEVICE

DRAWN DCS DATE 7/2/2015

ISSUED DATE 7/2/2015

SCALE

SHEET 1 CONT ON -

DISTR. TO