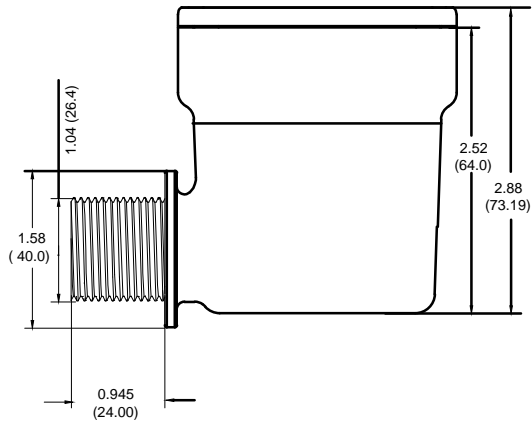
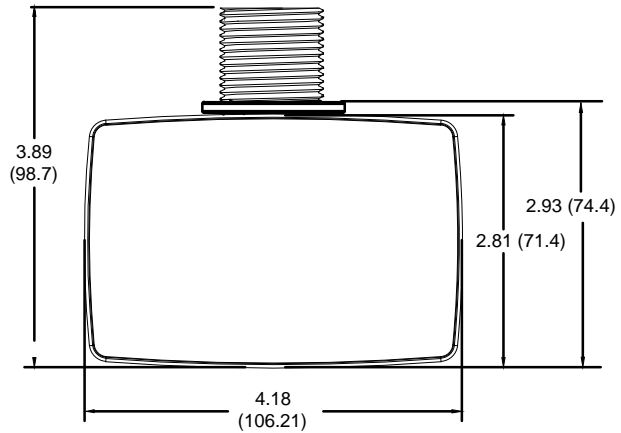
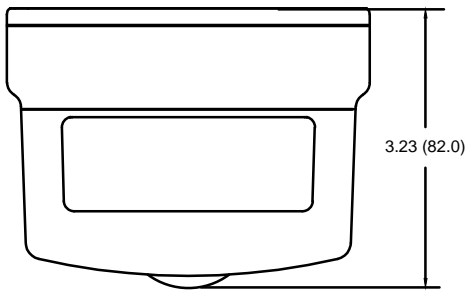
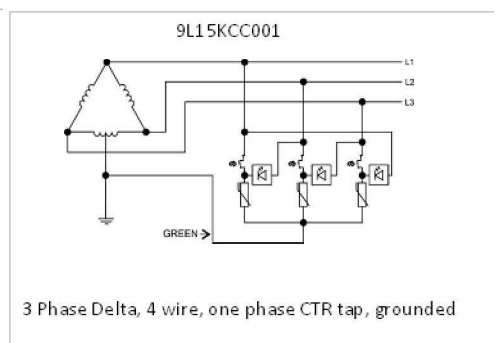
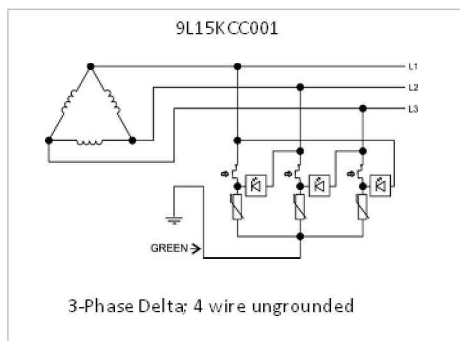
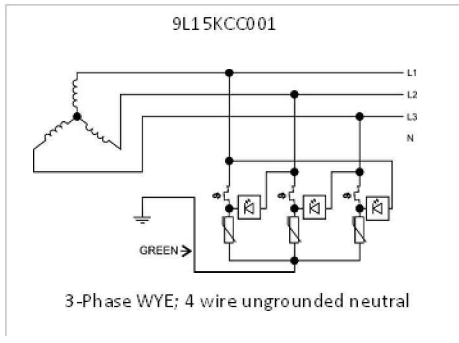


SIZE A	DWG NO 9L15KCC001	SHT 1	REV
REV	DESCRIPTION	DATE	APPROVED



NOMINAL VOLTAGE	SYSTEM OPTIONS	MODE of PROTECTION	POLES
277/480	3 phase Wye; 4 Wire; Ungrounded neutral	L1-G; L2-G, L3-G	3
480	3 phase Delta; 4 Wire; Ungrounded	L1-G; L2-G, L3-G	3
480	3 phase Delta; 4 Wire; One phase CTR; Tap Grounded	L1-G; L2-G, L3-G	3



GE ENERGY FORT EDWARD, N.Y., U.S.A.		SIZE A	9L15KCC001 SURGE PROTECTIVE DEVICE	
DRAWN	DCS	DATE	7/2/2015	SHEET 1 CONT ON -
ISSUED		DATE	7/2/2015	

DISTR. TO