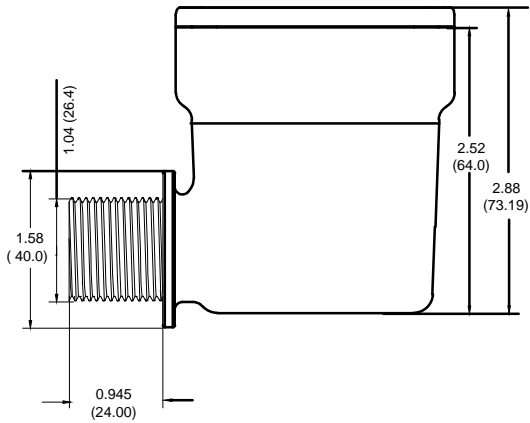
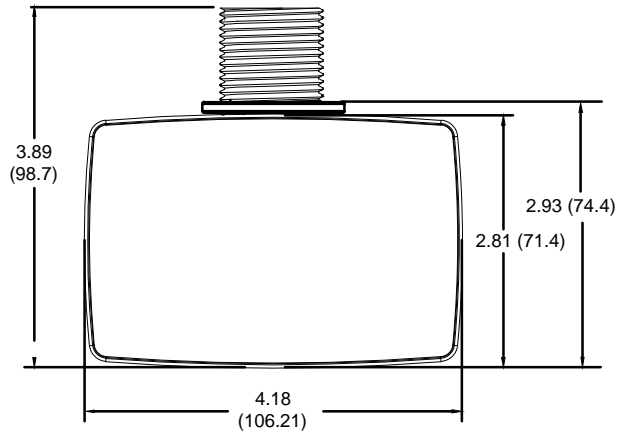
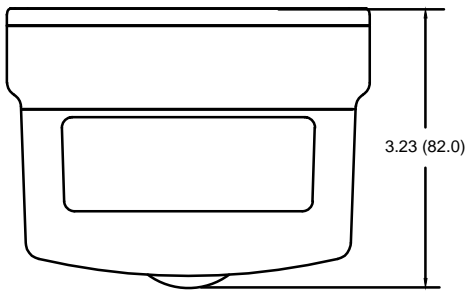
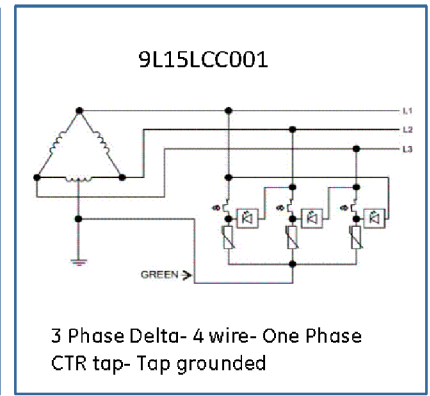
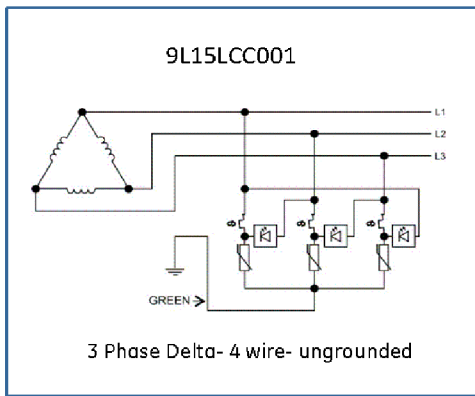
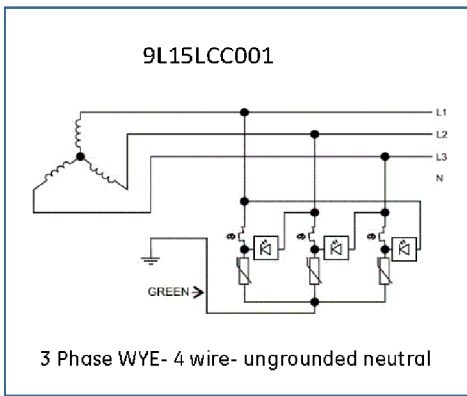


SIZE A	DWG NO 9L15LCC001	SHT 1	REV
REV	DESCRIPTION	DATE	APPROVED



NOMINAL VOLTAGE	SYSTEM OPTIONS	MODE of PROTECTION	POLES
600	3 PHASE WYE, 4 WIRE, UNGROUNDED NEUTRAL	L1-G,L2-G,L3-G	3
600	3 PHASE DELTA, 4 WIRE, UNGROUNDED	L1-G,L2-G,L3-G	3
600	3 PHASE DELTA, 4 WIRE, ONE PHASE CTR, TAP GROUNDED	L1-G,L2-G,L3-G	3



<b>GE ENERGY</b> <b>FORT EDWARD, N.Y., U.S.A.</b>		SIZE <b>A</b>	<b>9L15LCC001</b> <b>SURGE PROTECTIVE DEVICE</b>		
DRAWN	DCS	DATE	6/2/2015	SHEET	
ISSUED		DATE	6/2/2015		1
		SCALE		CONT	ON
				-	

DISTR. TO