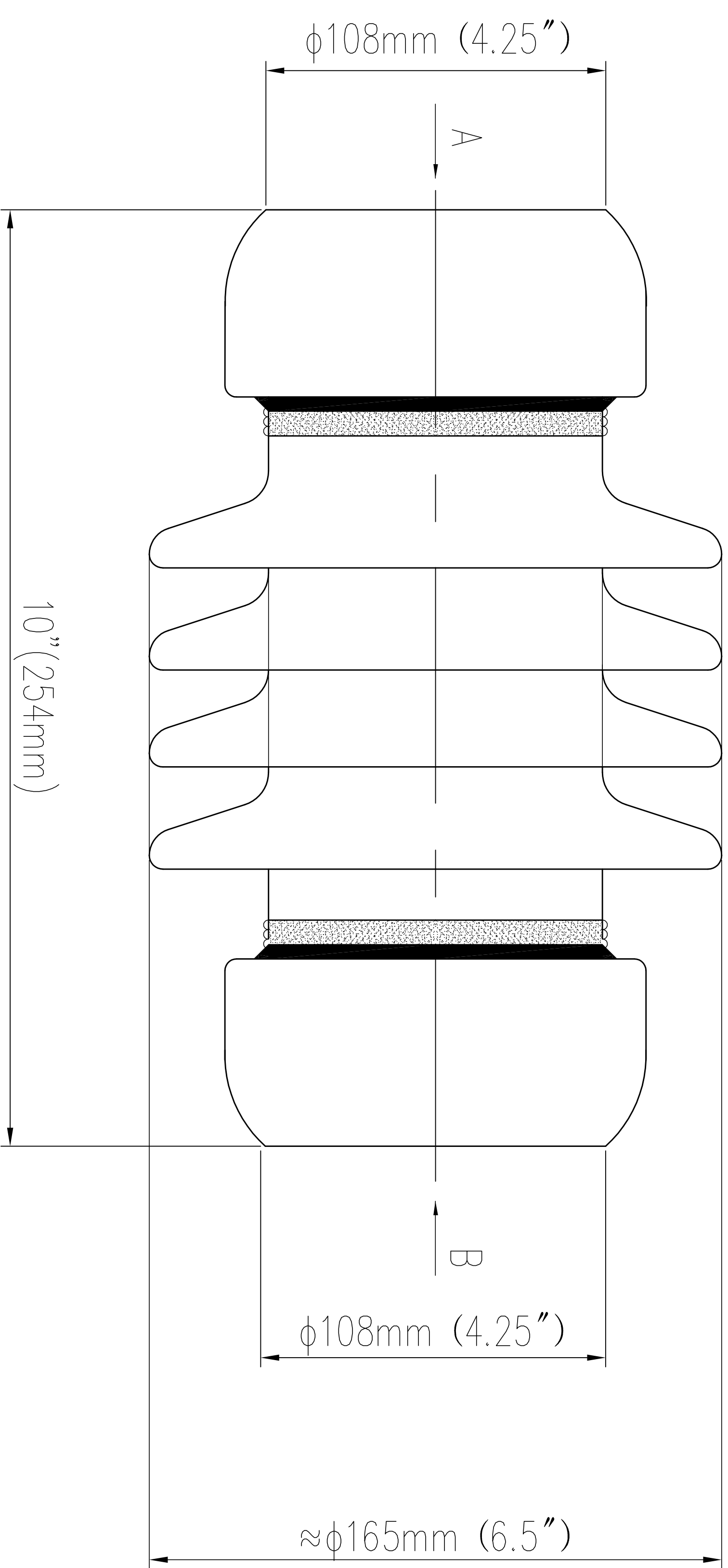
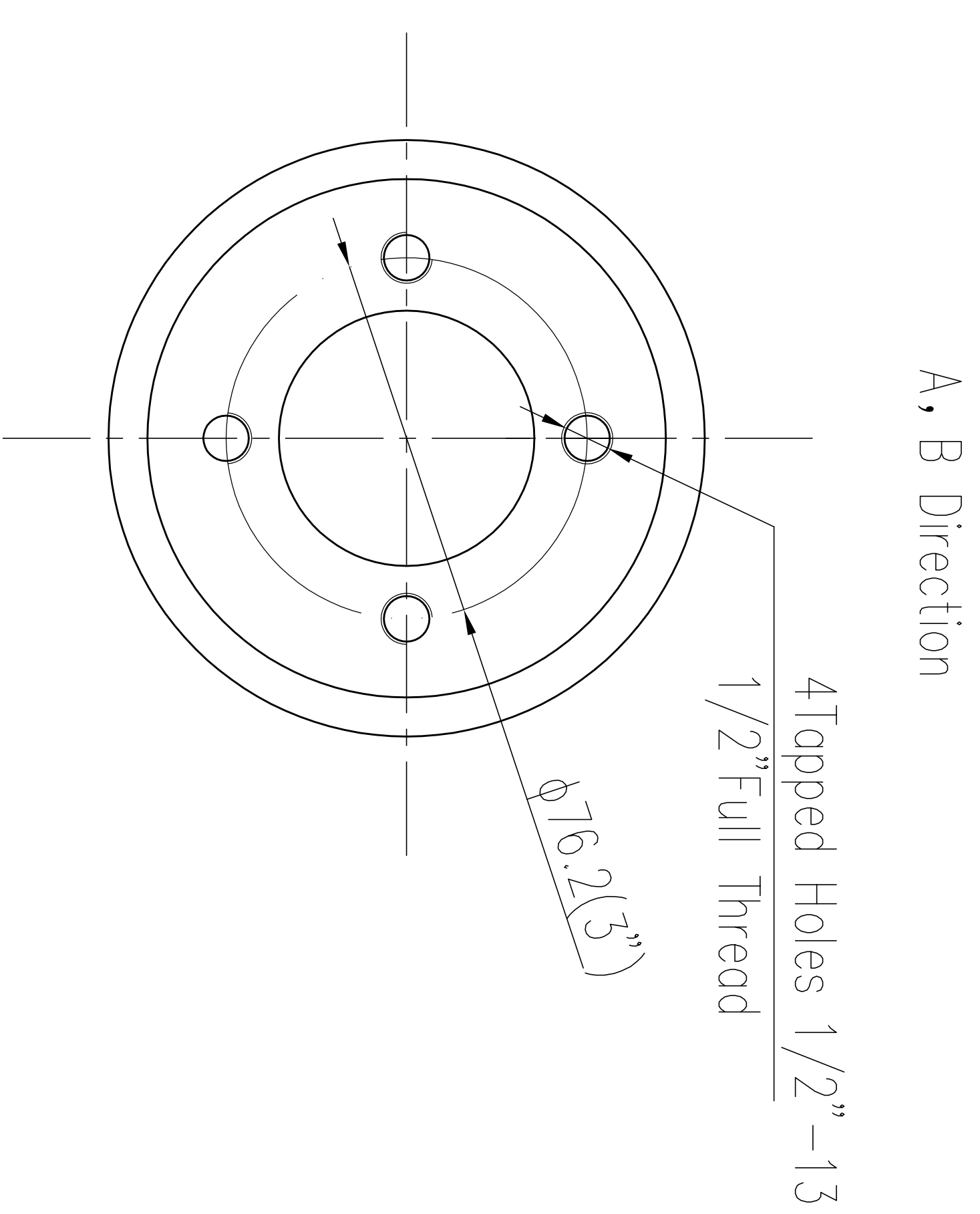


(Y)116Z



Characteristics:

| | |
|--|----------------------|
| Standard | ANSI C29.9 and C29.1 |
| Leakage distance Inches(mm) | 15.5"(394mm) |
| Comiliner strength (upright,underhung) Pound(KN) | 2000 (8.9KN) |
| Tensile strength Pound(KN) | 8500 (37.825KN) |
| Torsion strength Pound-inches (KNm) | 7000 (0.8KN.m) |
| Compression strength Pound(KN) | 10000 (44.5KN) |
| Voltage class kV | 15 |
| Impulse flashover positive kV | 125 |
| Wet power frequency withstand voltage 10sec kV | 45 |
| Lightning impulse withstand voltage kV | 110 |
| Test voltage rms. to ground | 10 |
| Max. RIV microwave at 1000KHz | 50 |
| Net weight Pound/kg | 19.9(9kg) |
| Flange material | Nordular case iron |
| Glazed color | ANSI 70 Gray |



| | | | | | |
|----------|-----------|----|------|------------------|--|
| Rev'01 | 5/16/2016 | By | Date | Standard Drawing | Xian XD High Voltage Porcelain Insulator Co. Ltd. |
| Designed | | | | | TR205 Solid-Core Post Insulator |
| Checked | | | | | 2911(Y) |
| Approved | | | | | |