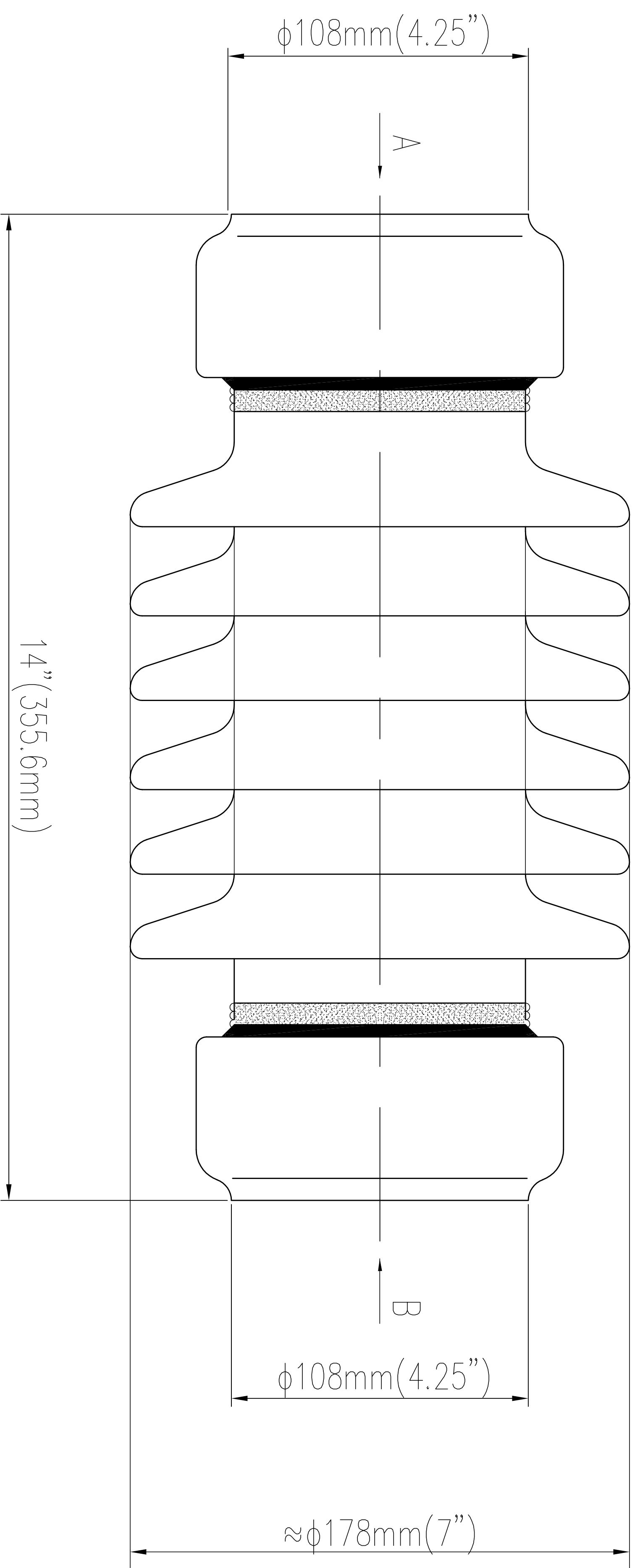


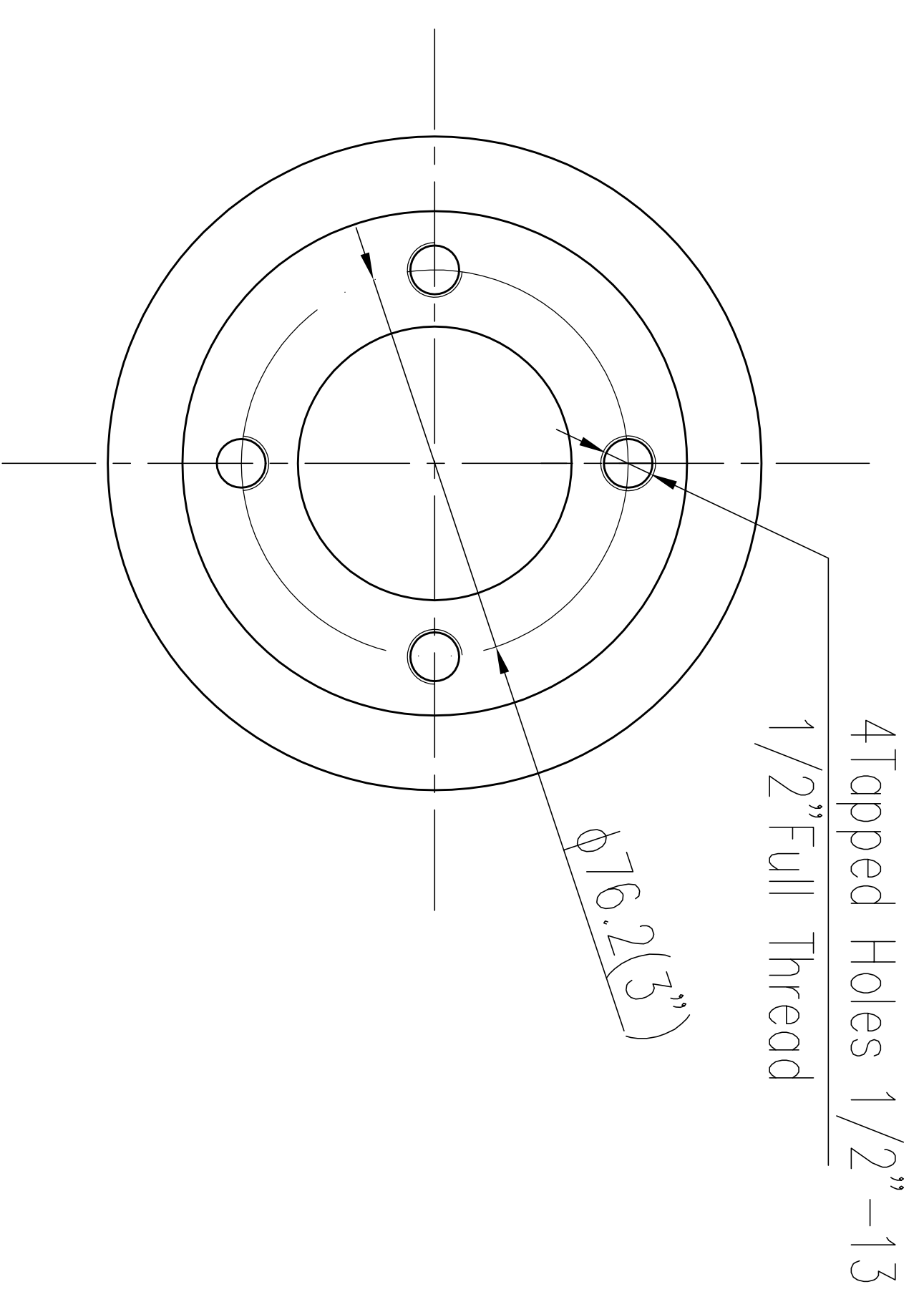
(Y)216Z



A, B Direction

Characteristics:

Standard	ANSI C29.9 and C29.1
Leakage distance Inches(mm)	24"(610mm)
Cantilever strength (upright) Pound(KN)	2000 (8.9kN)
Tensile strength Pound(KN)	10000 (44.5kN)
Torsion strength Pound-inches (KNm)	8000 (0.903kN.m)
Compression strength Pound(KN)	10000 (44.5kN)
Voltage class kV	23
Impulse flashover positive kV	170
Wet power frequency withstand voltage 10sec kV	60
Lightning impulse withstand voltage kV	150
Test voltage rms. to ground	15
Max. RIV microwave at 1000KHz	100
Net weight Pound/kg	32(14.5kg)
Flange material	Nordular case iron
Glazed color	ANSI 70 Gray



Rev:01	5/16/2016	By	Date	Standard Drawing	Xian XD High Voltage Porcelain Insulator Co. Ltd.
Designed					TR208 Solid-Core Post Insulator
Checked					2912(Y)
Approved					