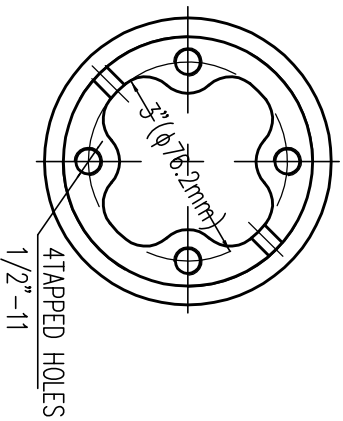


Characteristics:

Standard	ANSI C29.9 ANSI C29.1
Leadage Distance inches(mm)	43(1092)
Cantilever Strength pounds(kN)	2000(8.9)
Tensile Strength pounds(kN)	14000(62.3)
Torsional Strength inch-pounds(kNm)	12000(1.36)
Compression Strength pounds(kN)	15000(66.7)
Voltage Class (kV)	46
Impulse Flashover ,Positive kV	280
Low Frequency Withstand,10sec Wet, kV	100
Impulse Withstand kV	250
Test Voltage,Rms to Ground, Maximum RV,Microvolts at 1000KHz	30 (kV) 200
Net weight Pound/kg	55(25)
Flange material	Nordular case iron
Glazed color	ANSI 70 GRAY



All flanges are hot dip galvanized.

Rev'd	5/16/2016	By	Date	Standard Drawing	Xian XD High Voltage Porcelain Insulator Co. Ltd.
Designed					TR214 Solid-Core Post Insulator
Checked					2914 (Y)
Approved					

