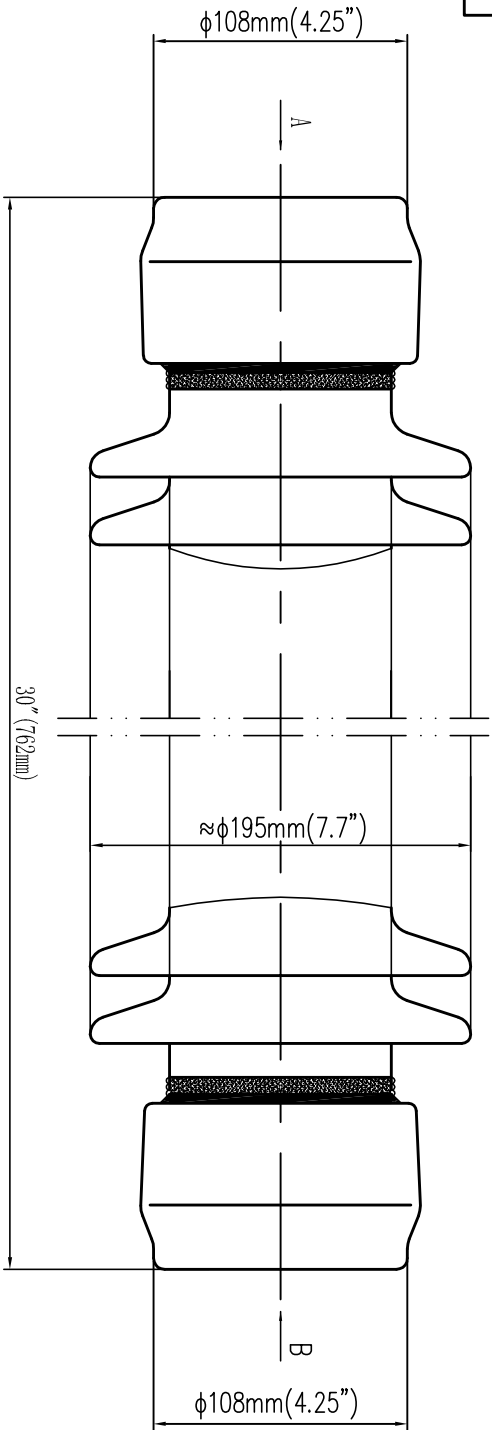
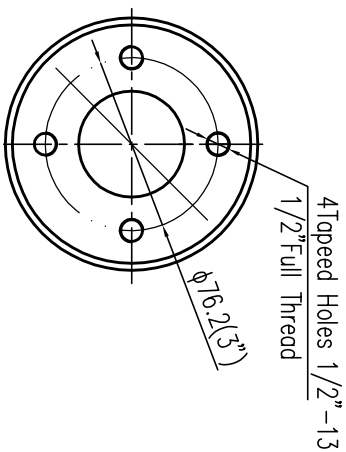


2916(Y)



Characteristics:

Standard	ANSI C29.9 and C29.1
Leakage distance	Inches(mm) 72"(1829mm)
Cantilever strength (upright)	Pound(KN) 1500 (6.68KN)
Tensile strength	Pound(KN) 16000 (71.2KN)
Torsion strength	Pound-inches (KNm) 15000 (1.7KN.m)
Compression strength	Pound(KN) 25000 (111.25KN)
Voltage class	kV 69
Impulse flashover	positive kV 390
Wet power frequency withstand voltage	10sec kV 145
Lightning impulse withstand voltage	kV 350
Test voltage rms. to ground	44
Max. RIV microwave at 1000KHz	200
Net weight	Pound/kg 81.7(37kg)
Flange material	Nordular cast iron
Glazed color	ANSI 70 Gray



A, B Direction

4Taped Holes 1/2"-13

1/2" Full Thread

16.2(3")

Revised	5/16/2016	By	Date	Standard Drawing	Xian XD High Voltage Porcelain Insulator Co. Ltd.
Designed					TR216 Solid-Core Post Insulator
Checked					2916(Y)
Approved					