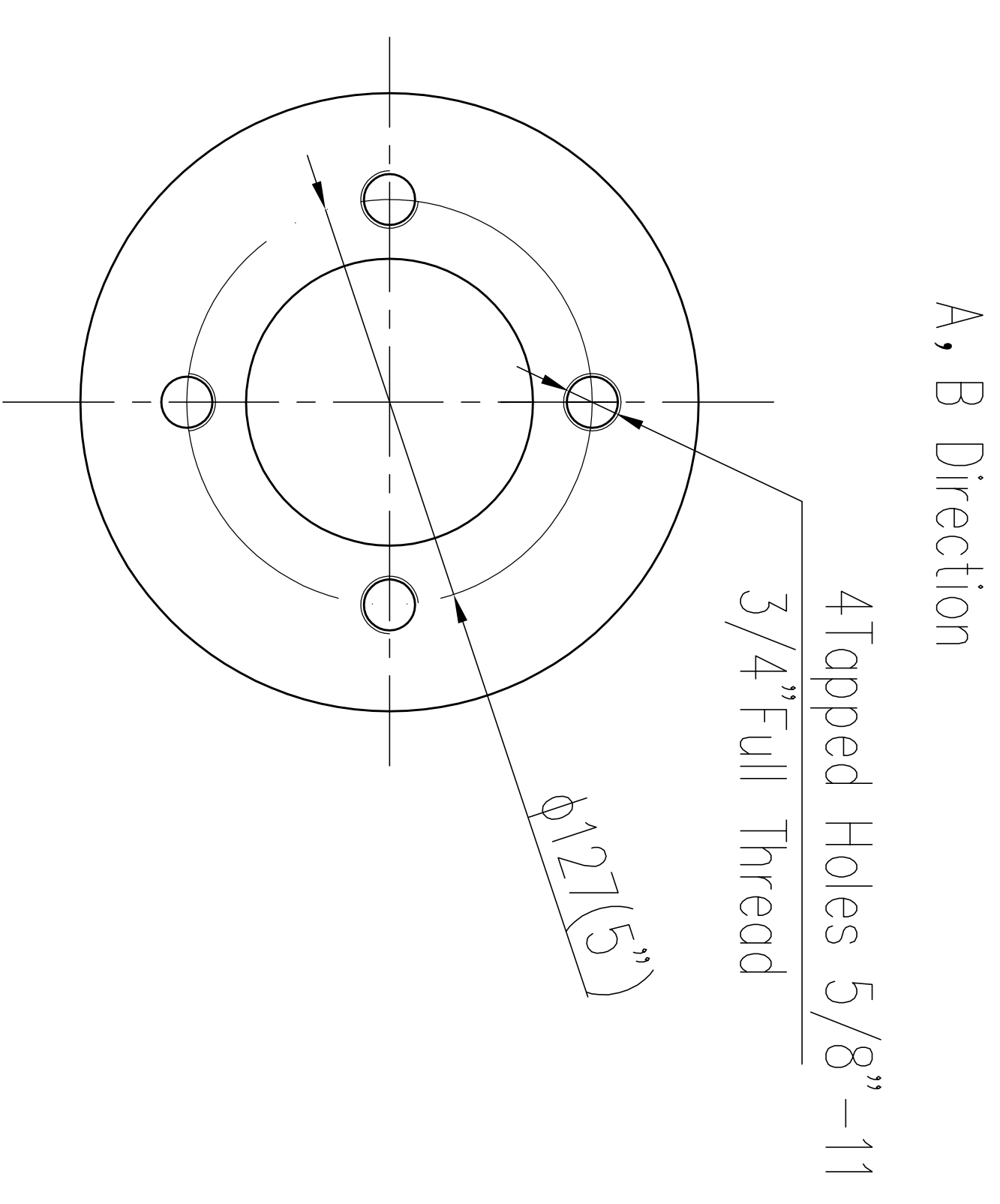


Characteristics:

Standard	ANSI C29.9 and C29.1
Leakage distance Inches(mm)	15.5"(394mm)
Cantilever strength (upright,underhung) Pound(KN)	4000 (17.8KN)
Tensile strength Pound(KN)	20000 (89KN)
Torsion strength Pound-inches (KNm)	14000 (1.63KN.m)
Compression strength Pound(KN)	20000 (89KN)
Voltage class kV	15
Impulse flashover positive kV	125
Wet power frequency withstand voltage 10s#5 kV	
Lightning impulse withstand voltage kV	110
Test voltage rms. to ground	10
Max. RIV microwave at 1000KHz	50
Net weight Pound/kg	≈18.8(≈8.5kg)
Flange material	Nordular case iron
Glazed color	ANSI 70 Gray



Rev01	5/16/2016	By	Date	Standard Drawing	Xian XD High Voltage Porcelain Insulator Co. Ltd.
Designed					TR225 Solid-Core Post Insulator
Checked					
Approved					24102(Y)