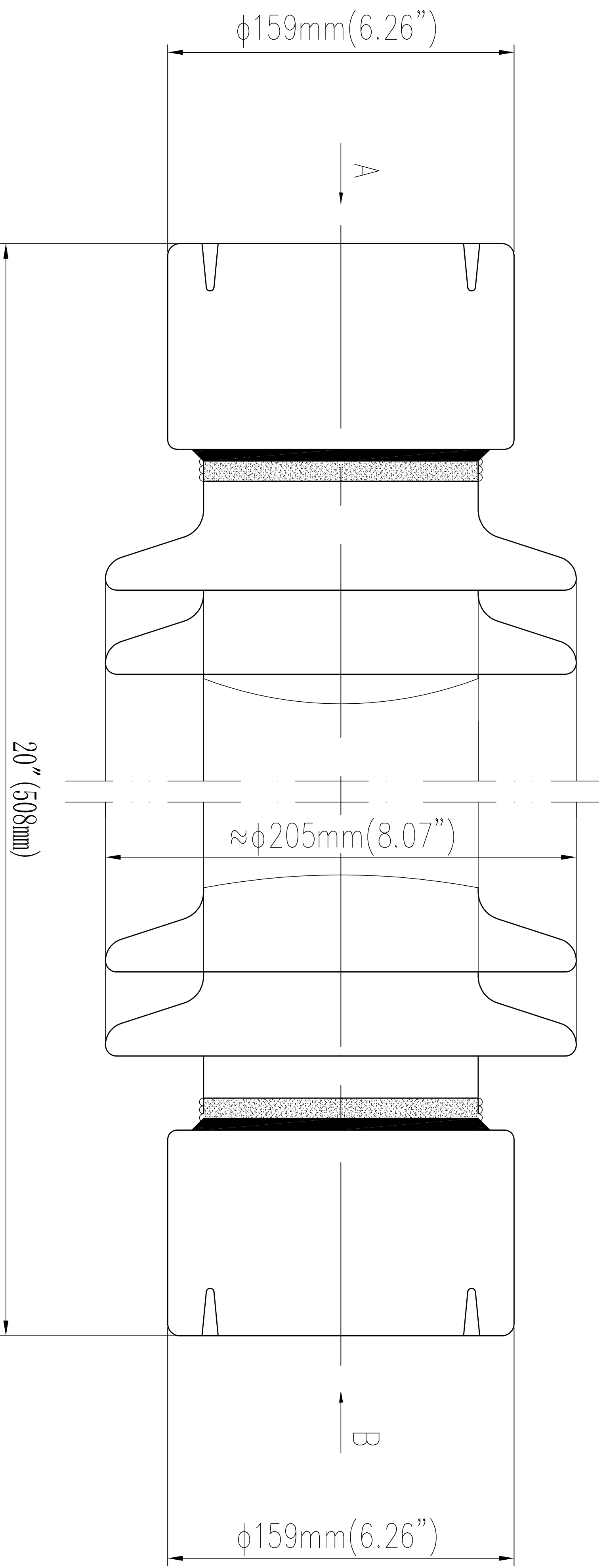
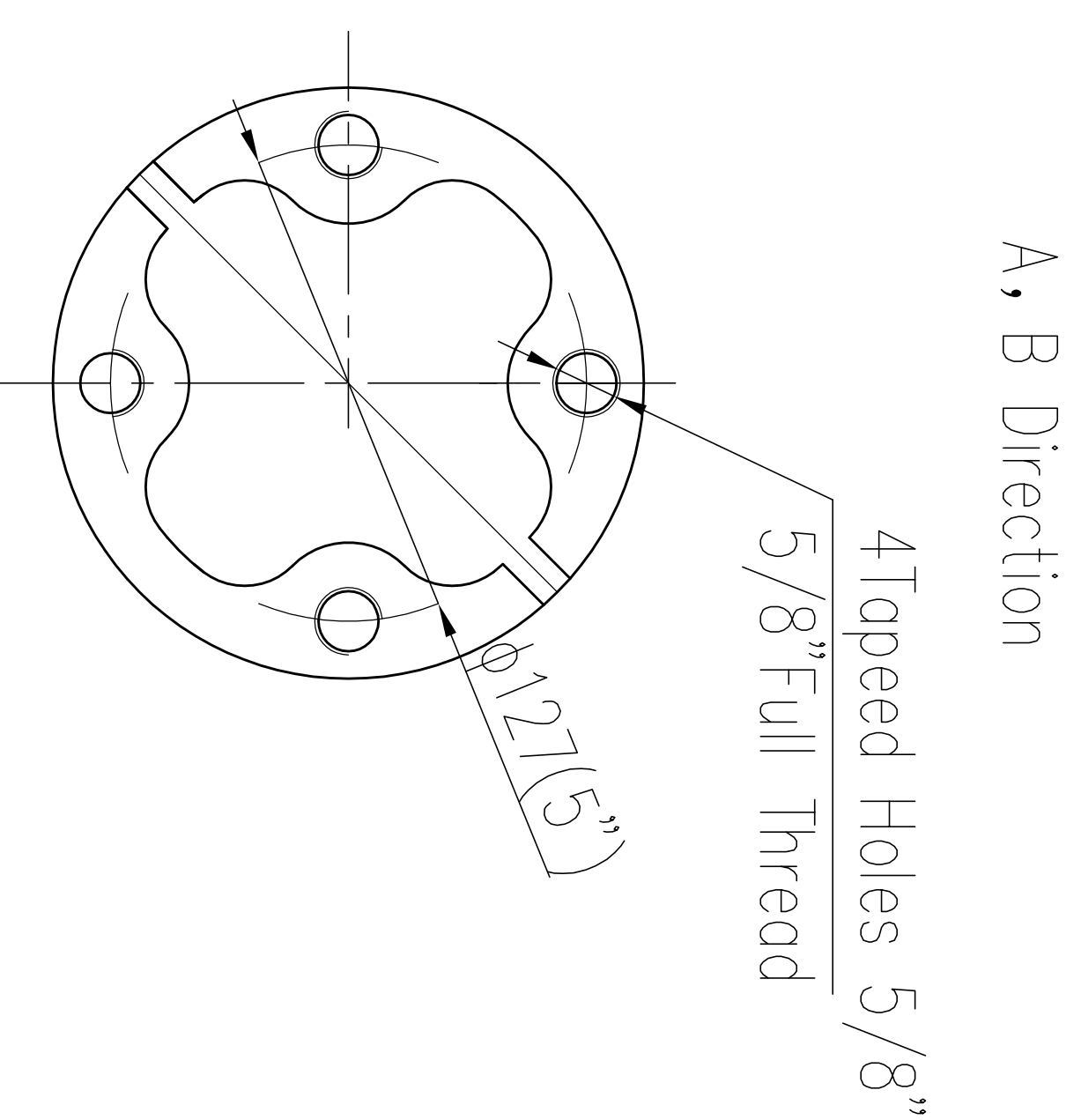


(Y)596Z



Characteristics:

Standard	ANSI C29.9 and C29.1
Leakage distance Inches(mm)	37"(940mm)
Cantilever strength (upright) Pound(KN)	4000 (17.8kN)
Tensile strength Pound(KN)	25000 (111.25kN)
Torsion strength Pound-inches (KNm)	20000 (2.26kN.m)
Compression strength Pound(KN)	30000 (133.5kN)
Voltage class kV	34.5
Impulse flashover positive kV	225
Wet power frequency withstand voltage 10sec kV	80
Lightning impulse withstand voltage kV	200
Test voltage rms. to ground Max. RIV microwave at 1000KHz	22 100
Net weight Pound/kg	67.5(30.6kg)
Flange material	Nordular case iron
Glazed color	ANSI 70 Gray



					Standard Drawing	Xian XD High Voltage Porcelain Insulator Co. Ltd.
Rev:01	5/16/2016					
	By		Date			
Designed						
Checked						TR231 Solid-Core Post Insulator
Approved						2965(Y)