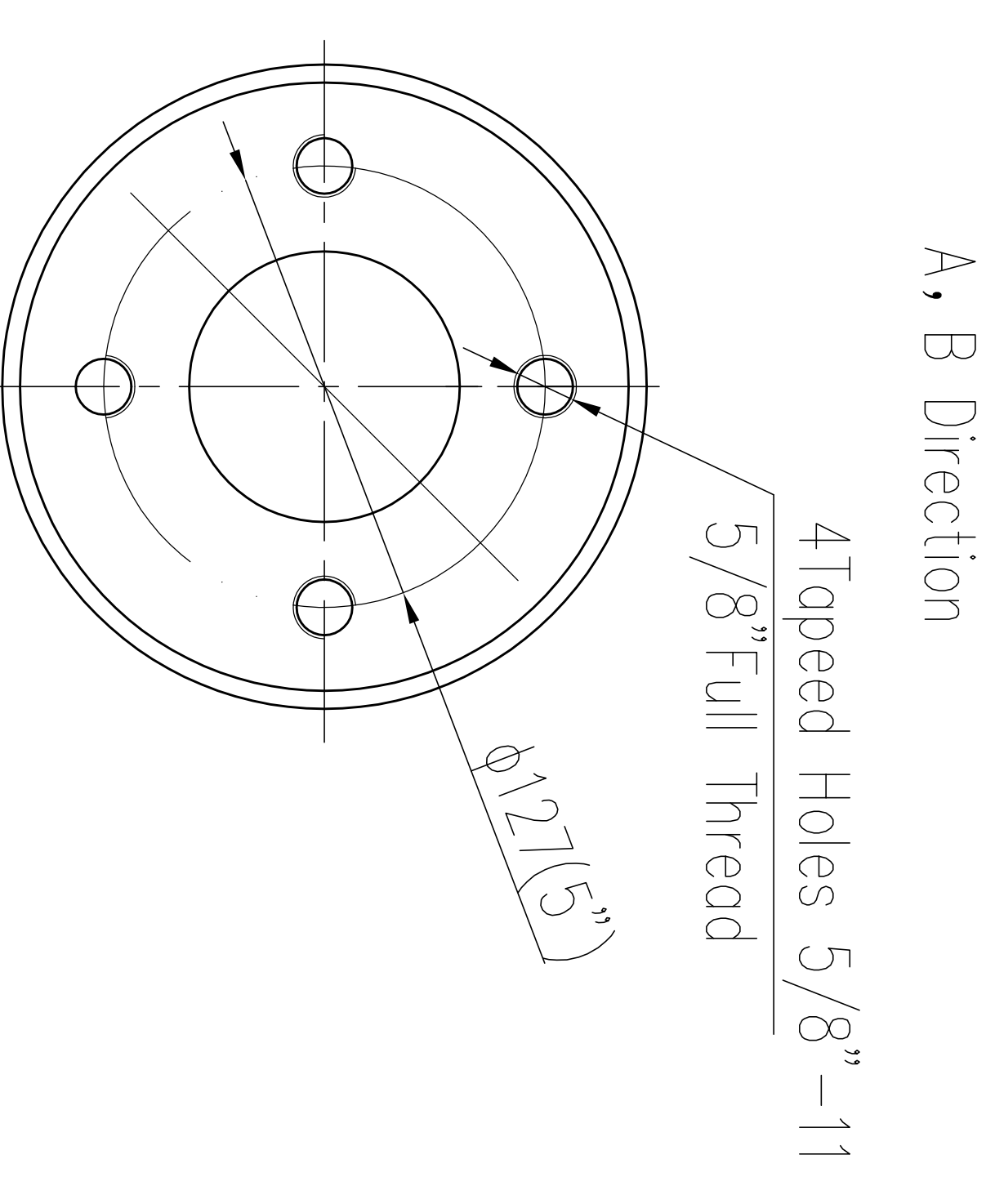


Characteristics:

Standard	ANSI C29.9 and C29.1
Leakage distance Inches(mm)	43"(1092mm)
Cantilever strength (upright) Pound(KN)	4000 (17.8KN)
Tensile strength Pound(KN)	25000 (111.25KN)
Torsion strength Pound-inches (KNm)	20000 (2.26KN.m)
Compression strength Pound(KN)	60000 (267KN)
Voltage class kV	46
Impulse flashover positive kV	280
Wet power frequency withstand voltage 10sec kV	100
Lightning impulse withstand voltage kV	250
Test voltage rms. to ground	30
Max. RIV microwave at 1000KHz	200
Net weight Pound/kg	≈87.2/≈39.5
Flange material	Nordular case iron
Glazed color	ANSI 70 Gray



Rev:01	5/16/2016	By	Date	Standard Drawing	Xion XD High Voltage Porcelain Insulator Co. Ltd.
Designed					TR267 Solid-Core Post Insulator
Checked					
Approved					