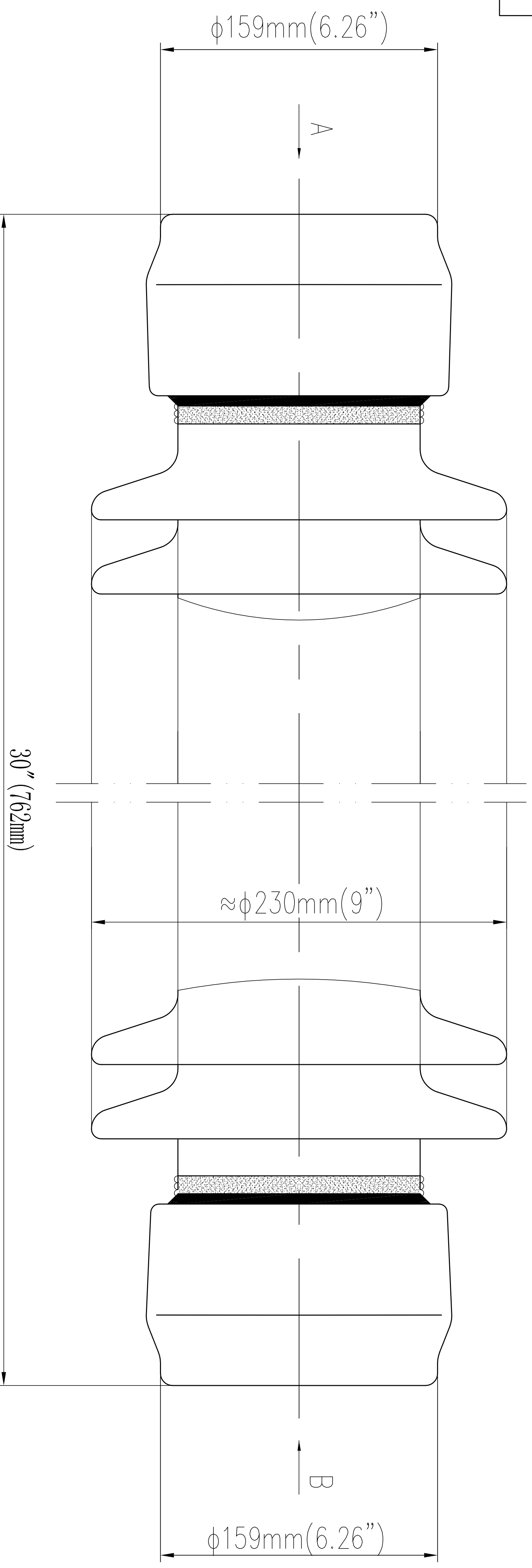
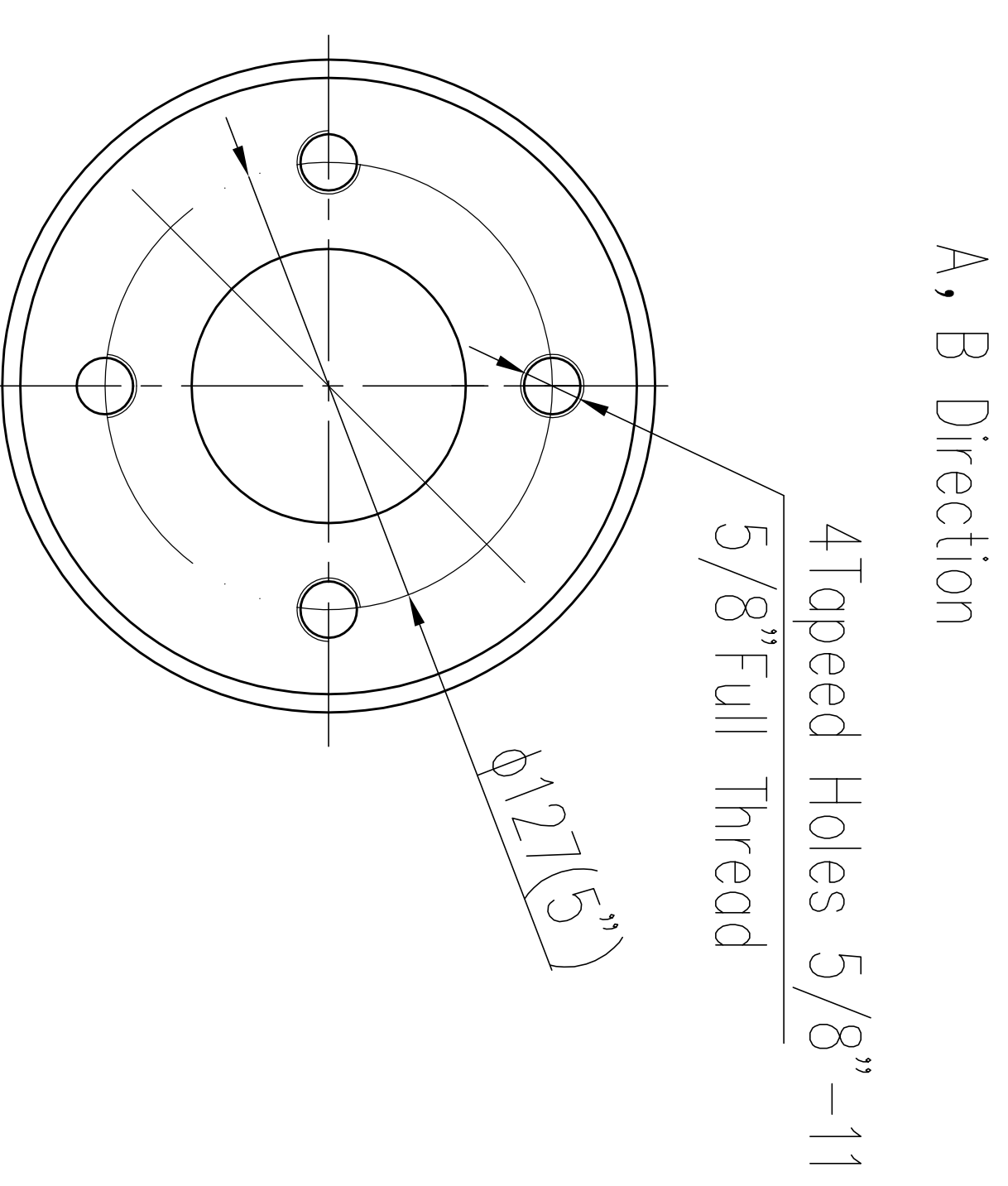


(Y)126Z



Characteristics:

Standard	ANSI C29.9 and C29.1.
Leadage distance Inches(mm)	72"(1829mm)
Cantilever strength (upright) Pound(KN)	3000 (13.35kN)
Tensile strength Pound(KN)	25000 (111.25kN)
Torsion strength Pound-inches (KNm)	40000 (4.52kN.m)
Compression strength Pound(KN)	60000 (267kN)
Voltage class kV	69
Impulse flashover positive kV	390
Wet power frequency withstand voltage 10sec kV	145
Lightning impulse withstand voltage kV	350
Test voltage rms. to ground	44
Max. RIV microwave at 1000KHz	200
Net weight Pound/kg	114.8(52kg)
Flange material	Nordular case iron
Glazed color	ANSI 70 Gray



						Standard Drawing		Xion XD High Voltage Porcelain Insulator Co. Ltd.			
Rev:01	5/16/2016									TR278 Solid-Core Post Insulator	
		By		Date						2921(Y)	
		Designed									
		Checked									
		Approved									