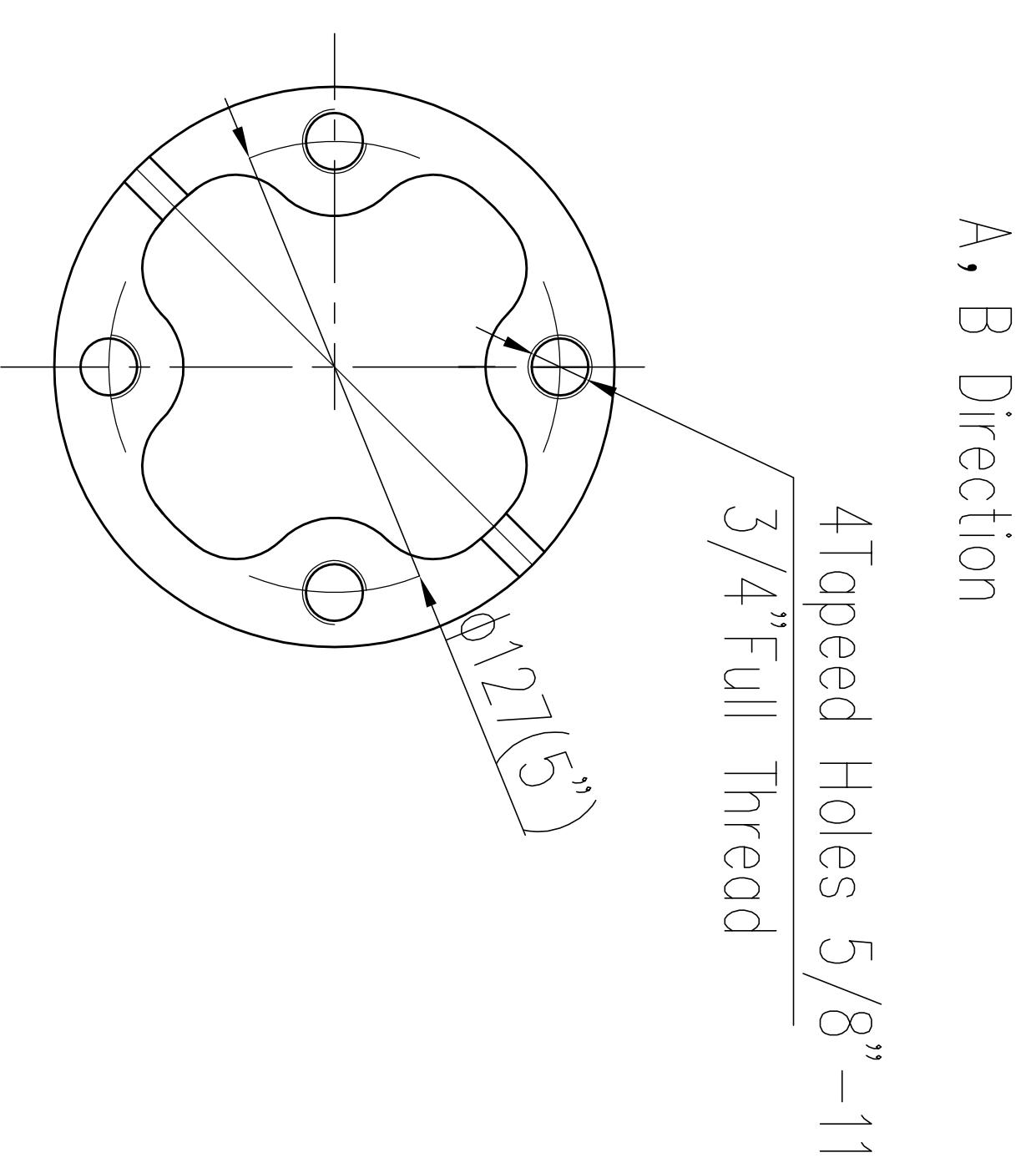


Characteristics:

Standard	ANSI C29.9 and C29.1
Leadage distance Inches(mm)	99"(2515mm)
Cantilever strength (upright) Pound(KN)	2600 (11.6KN)
Tensile strength Pound(KN)	25000 (111.25KN)
Torsion strength Pound-inches (KNm)	90000 (10.17KN.m)
Compression strength Pound(KN)	75000 (333.75KN)
Voltage class kV	115
Impulse flashover positive kV	610
Wet power frequency withstand voltage 10sec kV	230
Lightning impulse withstand voltage kV	550
Test voltage rms. to ground	73
Max. RIV microwave at 1000KHz	200
Net weight Pound/kg	180.5(82kg)
Flange material	Nordular case iron
Glazed color	ANSI 70 Gray



Rev:01	5/16/2016	By	Date	Standard Drawing	Xion XD High Voltage Porcelain Insulator Co. Ltd.
Designed					TR287 Solid-Core Post Insulator
Checked					2924(Y)
Approved					