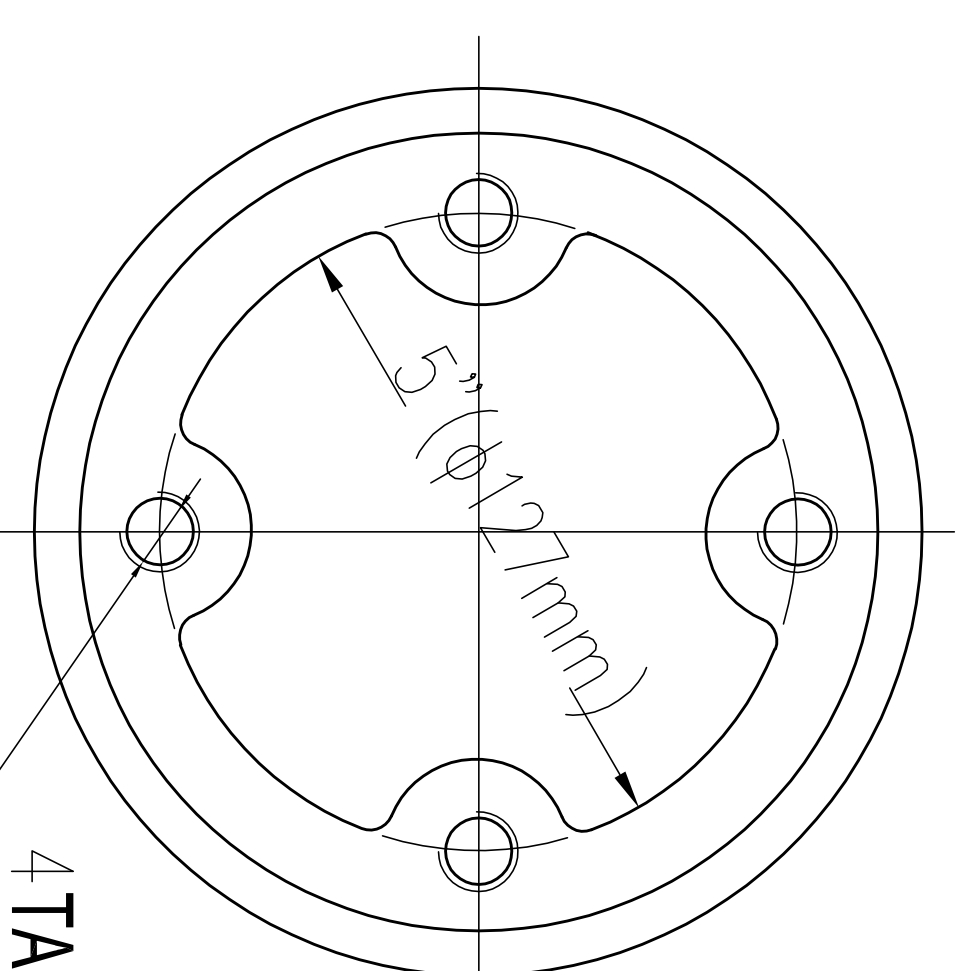


Characteristics:

Standard		ANSI C29.9 ANSI C29.1
Leakage Distance	inches(mm)	116(2947)
Cantilever Strength	pounds(kN)	2200(9.8)
Tensile Strength	pounds(kN)	25000(111.25)
Torsional Strength	inch-pounds(kNm)	90000(10.2)
Compression Strength	pounds(kN)	75000(333.8)
Voltage Class	(kV)	138
Impulse Flashover ,Positive	kV	710
Low Frequency Withstand,10sec Wet,	kV	275
Impulse Withstand	kV	650
Test Voltage,Rms to Ground(kV) Maximum RIV,Microvolts at 1000kHz		88 200
Net weight	Pound/kg	≈214(97)
Flange material		Nordular case iron
Glazed color		ANSI 70 GRAY

A B direction



4 TAPPED HOLES 5/8"-11

All flanges are hot dip galvanized.

Rev01	5/16/2016	By	Date	Standard Drawing	Xion XD High Voltage Porcelain Insulator Co. Ltd.
Designed					
Checked					
Approved					
				TR289 Solid-Core Post Insulator	2926 (Y)